

# 5MP HD IR VF Dome Network Camera

IPC3535LB-ADZK-G



## Key Features



- High quality image with 5MP, 1/2.7" CMOS sensor
- 5MP (2880\*1620)@ 25/20fps; 4MP (2560\*1440)@ 25/20fps; 3MP (2304\*1296)@ 30/25fps; 2MP (1920\*1080)@30/25fps
- Ultra 265, H.265, H.264, MJPEG
- 120dB true WDR technology enables clear image in strong light scene
- Support 9:16 Corridor Mode
- Built-in Mic
- Smart IR, up to 40m (131ft) IR distance
- Supports 256 G Micro SD card
- IK10 vandal resistant
- IP67 protection
- Support PoE power supply
- 3-Axis

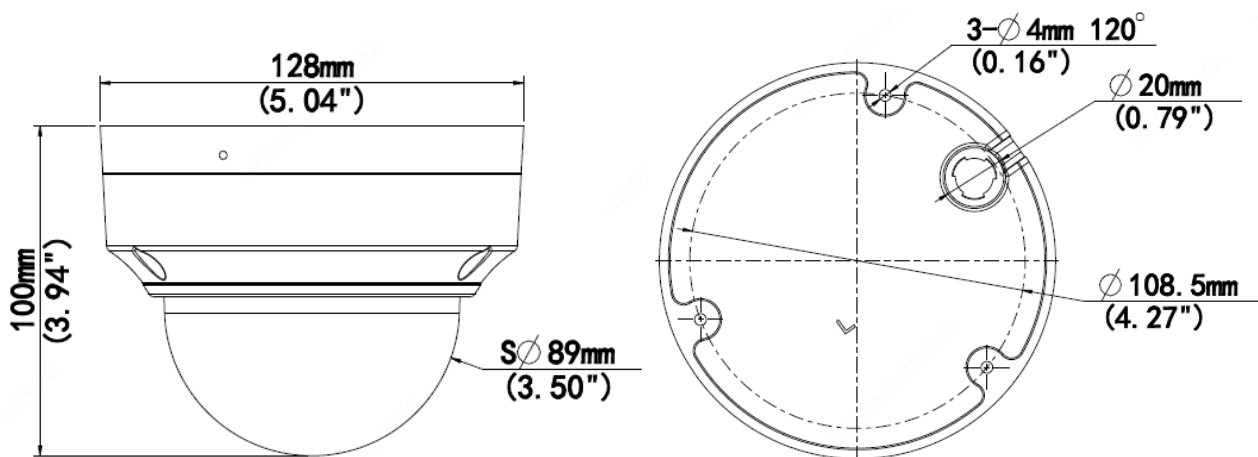
## Specifications

|                         |  |                 |                    |               |              |
|-------------------------|--|-----------------|--------------------|---------------|--------------|
|                         | IPC3535LB-ADZK-G   |                 |                    |               |              |
| <b>Camera</b>           |  |                 |                    |               |              |
| Sensor                  | 1/2.7", 5.0 megapixel, progressive scan, CMOS  |                 |                    |               |              |
| Minimum Illumination    | Colour: 0.003 lux (F1.6, AGC ON)<br>0 lux with IR  |                 |                    |               |              |
| Day/Night               | IR-cut filter with auto switch (ICR)   |                 |                    |               |              |
| Shutter                 | Auto/Manual, 1 ~ 1/100000s   |                 |                    |               |              |
| Adjustment angle        | Pan: 3° to 360°  | Tilt: 0° to 70° | Rotate: 3° to 360° |               |              |
| S/N                     | >56dB  |                 |                    |               |              |
| WDR                     | 120dB  |                 |                    |               |              |
| <b>Lens</b>             |  |                 |                    |               |              |
| Lens Type               | 2.8 ~ 12mm, AF automatic focusing and motorized zoom lens  |                 |                    |               |              |
| Iris                    | Fixed  |                 |                    |               |              |
| Field of View (H)       | 108.79° ~ 33.23°   |                 |                    |               |              |
| Field of View (V)       | 56.90° ~ 18.33°  |                 |                    |               |              |
| Field of View (D)       | 112.56° ~ 37.46°   |                 |                    |               |              |
| <b>DORI</b>             |  |                 |                    |               |              |
| DORI Distance           | Lens (mm)  | Detect (m)      | Observe (m)        | Recognize (m) | Identify (m) |
|                         | 2.8  | 63.0            | 25.2               | 12.6          | 6.3          |
|                         | 12   | 270.0           | 108.0              | 54.0          | 27.0         |
| <b>Illuminator</b>      |  |                 |                    |               |              |
| IR Range                | Up to 40m (131ft) IR range   |                 |                    |               |              |
| Wavelength              | 850nm  |                 |                    |               |              |
| IR On/Off Control       | Auto/Manual  |                 |                    |               |              |
| <b>Video</b>            |  |                 |                    |               |              |
| Video Compression       | Ultra 265, H.265, H.264, MJPEG   |                 |                    |               |              |
| H.264 code profile      | Baseline profile, Main profile, High profile   |                 |                    |               |              |
| Frame Rate              | Main Stream: 5MP (2880*1620), Max 25fps; 4MP (2560*1440), Max 25fps; 3MP (2304*1296), Max 30fps; 1080P (1920*1080), Max 30fps;<br>Sub Stream: 720P (1280*720), Max 30fps; D1 (720*576), Max 30fps; 640*360, Max 30fps; |                 |                    |               |              |
| Video Bit Rate          | 128 Kbps~16 Mbps   |                 |                    |               |              |
| U-code                  | Support  |                 |                    |               |              |
| OSD                     | Up to 4 OSDs   |                 |                    |               |              |
| Privacy Mask            | Up to 4 areas  |                 |                    |               |              |
| ROI                     | Up to 8 areas  |                 |                    |               |              |
| Video stream            | Dual streams   |                 |                    |               |              |
| <b>Image</b>            |  |                 |                    |               |              |
| White Balance           | Auto/Outdoor/Fine Tune/Sodium Lamp/Locked/Auto2  |                 |                    |               |              |
| Digital Noise Reduction | 2D/3D DNR  |                 |                    |               |              |
| Smart IR                | Support  |                 |                    |               |              |
| Flip                    | Normal/Vertical/Horizontal/180°/90°Clockwise/90°Anti-clockwise   |                 |                    |               |              |
| Dewarping               | N/A  |                 |                    |               |              |

|                        |  |
|------------------------|--|
| HLC                    | Support  |
| BLC                    | Support  |
| Defog                  | Digital Defog  |
| <b>Events</b>          |  |
| Basic Detection        | Cross line, intrusion(based on human body detection)   |
|                        | motion detection, tampering alarm, audio detection   |
| General Function       | Watermark, IP address filtering, access policy, ARP protection, RTSP authentication, user authentication   |
| <b>Audio</b>           |  |
| Audio Compression      | G.711U, G.711A   |
| Audio Bitrate          | 64 Kbps  |
| Two-way Audio          | N/A  |
| Suppression            | Support  |
| Sampling Rate          | 8KHZ   |
| <b>Storage</b>         |  |
| Edge Storage           | Micro SD, up to 256GB  |
| Network Storage        | ANR, NAS(NFS)  |
| <b>Network</b>         |  |
| Protocols              | IPv4, IGMP, ICMP, ARP, TCP, UDP, DHCP, RTP, RTSP, RTCP, RTMP, DNS, DDNS, NTP, FTP, UPnP, HTTP, HTTPS, SMTP, SSL/TLS, QoS, 802.1x, SNMP   |
| Compatible Integration | ONVIF (Profile S, Profile G, Profile T), API , SDK   |
| User/Host              | Up to 32 users. 2 user levels: administrator and common user   |
| Security               | Password protection, Strong password, HTTPS encryption, Export operation logs, Basic and digest authentication for RTSP, Digest authentication for HTTP, TLS 1.2, WSSE and digest authentication for ONVIF |
| Client                 | EZStation<br>EZView<br>EZLive  |
| Web Browser            | Plug-in required live view: IE9+, Chrome 41 and below, Firefox 52 and below  |
|                        | Plug-in free live view: Chrome 57.0+, Firefox 58.0+, Edge 16+  |
| <b>Interface</b>       |  |
| Audio I/O              | N/A  |
| Alarm I/O              | N/A  |
| Serial Port            | N/A  |
| Built-in Mic           | Support  |
| Built-in Speaker       | N/A  |
| WIFI                   | N/A  |
| Network                | 1 * RJ45 10M/100M Base-TX Ethernet   |
| Video Output           | N/A  |
| <b>Certification</b>   |  |
| EMC                    | CE-EMC (EN 55032: 2015+A1:2020,EN 61000-3-3: 2013+A1: 2019,EN IEC 61000-3-2: 2019+A1: 2021,EN 55035: 2017+A11:2020)<br>FCC (FCC CFR 47 part15 B, ANSI C63.4-2014)  |
| Safety                 | CE LVD (EN 62368-1:2014+A11:2017)<br>CB (IEC 62368-1:2014)<br>UL (UL 62368-1, 2nd Ed., Issue Date: 2014-12-01)   |
| Environment            | CE-RoHS (2011/65/EU;(EU)2015/863); WEEE (2012/19/EU); Reach (Regulation (EC) No 1907/2006)   |

|                     |  |
|---------------------|--|
| Protection          | IP67 (IEC 60529:1989+AMD1:1999+AMD2:2013)<br>IK10 (IEC 62262:2002) |
| <b>General</b>      |  |
| Power               | DC 12V±25%, PoE (IEEE 802.3af)<br>Power consumption: Max 7.5W      |
| Power Interface     | Ø 5.5mm coaxial power plug   |
| Dimensions (Ø x H)  | Ø128mmx100mm (Ø5.0" x 3.9")  |
| Weight              | 0.65kg (1.43lb)  |
| Material            | Metal + Plastic  |
| Working Environment | -30°C ~ 60°C (-22°F ~ 140°F), Humidity: ≤95% RH (non-condensing)   |
| Storage Environment | -30°C ~ 60°C (-22°F ~ 140°F), Humidity: ≤95% RH (non-condensing)   |
| Surge Protection    | 6KV  |
| Reset Button        | Support  |

## Dimensions



## Accessories

TR-JB03-H-IN

Junction Box



TR-A01-IN

TR-JB07/WM03-F-IN

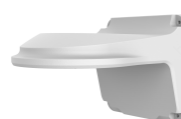
Wall Mount



TR-SE24-IN

TR-WM03-B-IN

Wall Mount



TR-SE24-A-IN

TR-UP06-IN

Pole Mount



TR-CM24-IN

Waterproof Joint



Pendant Mount



Pendant Mount



Pendant Mount



| Junction Mount          | Pole Mount                                 |
|-------------------------|--|
| TR-JB03-H-IN            | TR-JB07/WM03-F-IN(TR-WM03-B-IN)+TR-UP06-IN |
|                         |  |
| TR-CM24-IN+TR-JB03-H-IN |  |
|                         |  |

**Zhejiang Uniview Technologies Co., Ltd.**

Building No.10, Wanlun Science Park, Jiangling Road 88, Binjiang District, Hangzhou, Zhejiang, China (310051)

Email: [overseasbusiness@uniview.com](mailto:overseasbusiness@uniview.com); [globalsupport@uniview.com](mailto:globalsupport@uniview.com)

<http://www.uniview.com>

©2021 Zhejiang Uniview Technologies Co., Ltd. All rights reserved.

\*Product specifications and availability are subject to change without notice.