

2MP ANPR Bullet Camera

HC121



Features

Optics

- Starlight optical sensor and integrated illuminator for vehicle capture and recognition in low-light environments.
- 4 LED illumination beads provide up to 50m illumination.
- 2MP industrial-grade sensor delivers 1920 x 1080 images.
- Motorized zoom lens enables flexible focal length adjustment and easy installation.
- Automatic gain control, white balance, and WDR for various light conditions.

Compression

- Up to 1080P@60fps image collection format.
- 1 image stream, 3 video streams.
- Up to 1080P@60fps live video streams.
- Advanced H.265 encoding technology improves compression efficiency.
- Custom OSD allows various vehicle information to be overlaid on the video image.

Functions

- Built-in vehicle&license plate recognition algorithm can recognize standard license plates of multiple countries.
- Supports simultaneous application to road and entry/exit scenes without switching.
- Supports license plate detection and recognition for up to 2 lanes in road scenes.
- Supports capturing vehicle head only.
- Supports recognition of up to 10 vehicle body colors.
- Supports allowlist and blocklist configuration.
- Supports vehicle access control when connected to a barrier.
- Supports Micro SD cards of up to 128GB.
- Supports Automatic Network Replenishment (ANR), the camera

can automatically store video to its SD card in case of network disconnection.

- Supports audio acquisition and intercom.

Network

- Network auto-adaptability ensures fluent live video in relatively bad network conditions such as packet loss.
- Supports SNMP.
- Supports UNP for NAT traversal between public and private networks.
- Supports integration by the third party via SDK or HTTP.

Network Security

- Supports authorized user access by password. Weak password detection and account lock-up when failed login attempts reach the upper limit enhance password security.
- Supports HTTPS.
- RTSP authentication prevents unauthorized video stream requests.
- IP address filtering prevents illegal access from untrusted IP addresses.
- Gateway ARP protection prevents MAC address spoofing.

Structure

- Supports DC 12V, and PoE (802.3at) power supplies.
- Cast aluminum body offers excellent heat dissipation.
- 3-axis mounting bracket for various installation scenarios.
- Junction box for cabling.
- IP67, IK10.

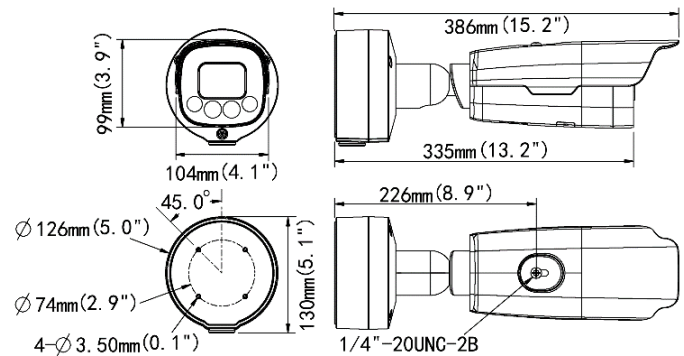
Specifications

| HC121 | TS8C-Z |
|-------------------------|--|
| Camera | Description |
| Sensor | 1/2.8" 2MP CMOS |
| Focal length | 4.7 to 47mm, motorized zoom |
| Shutter | Auto/Manual, range: 1/25 to 1/100000 s |
| Minimum illumination | 0.001lux (F1.6) |
| Image | Description |
| Image collection format | 1080P@25 (default), 1080P@30, 1080P@50, 1080P@60 |
| Resolution | Main stream: 1080P (default), 720P, D1 Sub stream: 720P (default), D1, 2CIF, CIF Third stream: D1 (default), 2CIF, CIF |
| Frame rate | 60, 50, 30, 25 (default), 22, 20, 18, 16, 15, 12.5, 10, 8, 6, 5, 4, 3, 2, 1 |
| Video compression | H.264 (default), H.265 |
| ROI | Supports up to 8 regions |
| Video OSD | Supports 8 overlay areas and allows contents including date, time, date&time, zoom ratio, custom contents |

| | |
|----------------------------------|---|
| Image OSD | Supports 8 overlay areas and allows contents including time, license plate number, device ID, camera ID, vehicle body color, allowlist, image authentication ID, custom contents (3 items), location |
| Smart | Description |
| Application scenario | Vehicle speed ≤90km/h Supports simultaneous application to road and entry/exit scenes without switching Supports license plate detection and recognition for up to 2 lanes in road scenes |
| Vehicle detection mode | Video (default) or inductive loop |
| Capture vehicle head only | Support |
| License plate number recognition | Supports recognition of license plates with numbers and letters by default |
| Vehicle body color recognition | Supports 10 colors: red, green, blue, yellow, white, gray, black, purple, brown, pink |
| List configuration | Supports allowlist and blacklist configuration, each list allows 20,000 items Supports import, export, add, and delete operations |
| Barrier opening policy | Open barrier only for the recognized vehicles Open barrier for all vehicles Open barrier only for vehicles on the allowlist Open barrier for vehicles not on the blacklist Configurable Boolean output ID |
| Storage | Description |
| Edge storage | Supports ANR with a Micro SD card, up to 128GB |
| Structure | Description |
| Illumination | Built-in integrated illumination module, including 4 white light LEDs, 50m illumination distance, automatic on/off control |
| Sunshield | Long sunshield |
| Bracket | 3-axis mounting bracket |
| Junction box | The camera comes with a junction box for storing tail cable |
| Interface | Description |
| Network interface | 1 × 10M/100M RJ45 |
| Serial port | 1 × RS485 |
| Boolean output | 1 relay output, withstand voltage: AC 125V/0.3A, DC 30V/1A |
| Boolean input | 2 inputs, supports level/Boolean, with max level up to DC 5V |
| Audio interface | 1 × audio input, 1 × audio output |
| Storage interface | 1 × Micro SD card slot |
| General | Description |
| Power supply | DC12V + 25% - 10% |
| | Max. power consumption: 20W |
| | Supports PoE (802.3at, class 4) |
| Dimensions (L×W×H) | 386mm x 126mm x 130mm |

| | |
|-----------------------|------------------------|
| Weight | 2kg |
| Operating environment | -40°C to 60°C, ≤90% RH |
| Ingress protection | IP67, IK10 |

Dimensions



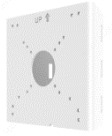
Application

The HC121 series is mainly used to recognize vehicle license plates on low-speed roads (such as roads near the entrance/exit of parks, city paths, and lanes in underground parking lots). With an intelligent illumination system, it can detect, recognize and capture vehicles in all weather conditions. It features high vehicle capture rate and high plate recognition accuracy.

Order Information

| Model | Configuration | Remarks |
|-------|---------------|--|
| HC121 | TS8C-Z | 2MP ANPR Bullet Camera (4.7 to 47mm, starlight, PoE, H.265, white light) |

Recommended Accessories

| Mount | Bracket | Example | Remarks |
|---------------|---------------|---|---|
| Wall mount | \ | \ | Use the mount kit delivered with the camera |
| Pendant mount | \ | \ | Use the mount kit delivered with the camera |
| Pole mount | TR-UP06 -C-IN |  | Pole Mount Adapter |

Zhejiang Uniview Technologies Co., Ltd.

Building No.10, Wanlun Science Park, Jiangling Road 88, Binjiang District, Hangzhou, Zhejiang, China

Email: overseasbusiness@uniview.com; globalsupport@uniview.com

<http://www.uniview.com>

©2021 Zhejiang Uniview Technologies Co., Ltd. All rights reserved.

*Product specifications and availability are subject to change without notice.