

# Ruijie Reyee RG-RAP52-OD Access Point

## Installation Guide



## Copyright

Copyright © 2024 Ruijie Networks

All rights are reserved in this document and this statement.

Without the prior written consent of Ruijie Networks, any organization or individual shall not reproduce, extract, back up, modify, or propagate the content of this document in any manner or in any form, or translate it into other languages or use some or all parts of the document for commercial purposes.

 and other Ruijie networks logos are trademarks of Ruijie Networks.

All other trademarks or registered trademarks mentioned in this document are owned by their respective owners.

## Disclaimer

The products, services, or features you purchase are subject to commercial contracts and terms, and some or all of the products, services, or features described in this document may not be available for you to purchase or use. Except for the agreement in the contract, Ruijie Networks makes no explicit or implicit statements or warranties with respect to the content of this document.

The names, links, descriptions, screenshots, and any other information regarding third-party software mentioned in this document are provided for your reference only. Ruijie Networks does not explicitly or implicitly endorse or recommend the use of any third-party software and does not make any assurances or guarantees concerning the applicability, security, or legality of such software. You should choose and use third-party software based on your business requirements and obtain proper authorization. Ruijie Networks assumes no liability for any risks or damages arising from your use of third-party software.

The content of this document will be updated from time to time due to product version upgrades or other reasons, Ruijie Networks reserves the right to modify the content of the document without any notice or prompt.

This manual is designed merely as a user guide. Ruijie Networks has tried its best to ensure the accuracy and reliability of the content when compiling this manual, but it does not guarantee that the content of the manual is completely free of errors or omissions, and all the information in this manual does not constitute any explicit or implicit warranties.

# Preface

## Audience

This document is intended for:

- Network engineers
- Technical support and servicing engineers
- Network administrators

## Technical Support

- Official Website of Ruijie Reyee: <https://reyee.ruijie.com>
- Technical Support Website: <https://reyee.ruijie.com/en-global/support>
- Case Portal: <https://www.ruijienetworks.com/support/caseportal>
- Community: <https://community.ruijienetworks.com>
- Technical Support Email: [service\\_rj@ruijienetworks.com](mailto:service_rj@ruijienetworks.com)
- Online Robot/Live Chat: <https://reyee.ruijie.com/en-global/rita>


## Conventions

### 1. GUI Symbols


Interface symbol	Description	Example
<b>Boldface</b>	1. Button names 2. Window names, tab name, field name and menu items 3. Link	1. Click <b>OK</b> . 2. Select <b>Config Wizard</b> . 3. Click the <b>Download File</b> link.
>	Multi-level menus items	Select <b>System &gt; Time</b> .

### 2. Signs


The signs used in this document are described as follows:

 **Danger**  
An alert that calls attention to safety instruction that if not understood or followed can result in personal injury.

---

 **Warning**  
An alert that calls attention to important rules and information that if not understood or followed can result in data loss or equipment damage.

---

 **Caution**  
An alert that calls attention to essential information that if not understood or followed can result in function failure or performance degradation.

---

---

 **Note**

An alert that contains additional or supplementary information that if not understood or followed will not lead to serious consequences.

---

---

 **Specification**

An alert that contains a description of product or version support.

---

**3. Note**

This manual provides installation steps, troubleshooting, technical specifications, and usage guidelines for cables and connectors. It is intended for users who want to understand the above and have extensive experience in network deployment and management, and assume that users are familiar with related terms and concepts.

# Contents

Preface .....	1
1 Product Overview .....	1
1.1 Package Contents.....	1
1.2 Product Appearance .....	2
1.2.1 Front Panel.....	2
1.2.2 Back Panel .....	3
1.3 Technical Specifications .....	4
1.4 Power Supply Technical Specifications.....	6
1.5 Cooling.....	7
2 Preparing for Installation .....	8
2.1 Safety Precautions.....	8
2.1.1 Installation Safety.....	8
2.1.2 Handling Safety.....	8
2.1.3 Electrical Safety .....	8
2.2 Installation Environment Requirements.....	9
2.2.1 Ventilation.....	9
2.2.2 Temperature and Humidity.....	9
2.2.3 Waterproofing.....	9
2.2.4 EMI.....	9
2.3 Tools .....	10
3 Installing the AP.....	11
3.1 Installation Flowchart .....	11

3.2 Before You Begin.....	11
3.3 Precautions .....	12
3.4 Installing the AP .....	12
3.4.1 Installing the Antenna.....	12
3.4.2 Connecting the Ethernet Cable.....	13
3.4.3 Installing the AP .....	15
3.5 Bundling Cables.....	18
3.6 Checklist After Installation .....	18
4 Debugging .....	19
4.1 Setting up Configuration Environment.....	19
4.2 Powering on the AP .....	19
4.2.1 Checklist Before Power-on .....	19
4.2.2 Checklist After Power-on .....	19
5 Monitoring and Maintenance.....	20
5.1 Monitoring .....	20
5.2 Maintenance .....	20
6 Troubleshooting.....	21
6.1 General Troubleshooting Flowchart .....	21
6.2 Common Faults.....	21
7 Appendixes.....	22
7.1 Connectors and Media.....	22
7.2 Cabling Recommendations.....	24
7.2.1 Requirements for Cable Bend Radius .....	24
7.2.2 Precautions for Bundling up Cables .....	24

# 1 Product Overview

## 1.1 Package Contents

Table 1-1 Package Contents

No.	Item	Quantity
1	RG-RAP52-OD Access Point	1
2	Antenna	2
3	Band Clamp	2
4	Mounting Bracket	1
5	Screw Kit (Containing Two 3.5 mm × 25 mm Expansion Screws and Two Wall Anchors)	1
6	Warranty Card	1
7	Quick Installation Guide	1

---

 Note

The package contents generally contain the preceding items. The actual delivery is subject to the order contract. Please check your goods carefully against the order contract. If you have any questions, please contact the distributor.

---

## 1.2 Product Appearance

Figure 1-1 Appearance of the RG-RAP52-OD Access Point



### 1.2.1 Front Panel

Figure 1-2 Front Panel of the RG-RAP52-OD Access Point





## 1.2.2 Back Panel

Figure 1-3 Back Panel of the RG-RAP52-OD Access Point

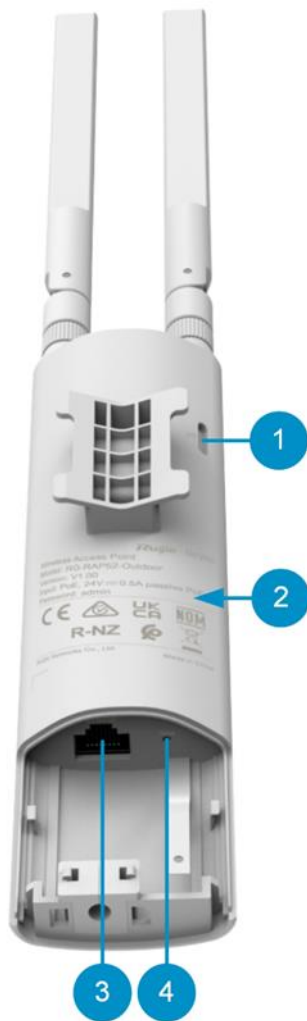




Table 1-2 LEDs

Mark	Status	Description
1	Solid blue	The device is operating normally.
	Off	The device is NOT receiving power.
	Fast blinking	The device is starting up.
	Slow blinking (at a two-second interval)	The device is not connected to the Internet.


Mark	Status	Description
	Blinking twice	<ul style="list-style-type: none"> <li>● The device is resetting.</li> <li>● The device is upgrading.</li> <li>● The device is recovering.</li> </ul> <hr/> <p> <b>Caution</b></p> <p>Do not power off the device when the LED is in this state.</p>


**Table 1-3 Ports and Buttons**



Mark	Item	Description
2	Label	The label is located on the back of the device.
3	LAN/PoE port	<p>1 x 10/100/1000Base-T port, supporting IEEE 802.3af standard PoE power supply and 24 V passive PoE power supply.</p> <hr/> <p> <b>Caution</b></p> <p>For details about power supply restrictions, see <a href="#">1.4 Power Supply Technical Specifications</a>.</p>
4	Reset button	<p>Press and hold for less than 2 seconds: Restart the device.</p> <p>Press and hold for more than 5 seconds: Restore the device to factory settings.</p>

### 1.3 Technical Specifications

**Table 1-4 Specifications**

<b>Radio Design</b>	Dual-stream, dual-band
<b>Wi-Fi Standards</b>	Supports 802.11ac and 802.11a/b/g/n standards for simultaneous operation
<b>Operation Frequency Bands</b>	<p>802.11b/g/n: 2.4 GHz to 2.4835 GHz</p> <p>802.11a/n/ac: 5.150 GHz to 5.350 GHz, 5.470 GHz to 5.725 GHz, and 5.725 GHz to 5.850 GHz</p>
<b>Antenna Type</b>	<p>External omnidirectional antenna (2.4 GHz: 3 dBi, 5 GHz: 4 dBi)</p> <hr/> <p> <b>Note</b></p> <p>The peak gain mentioned above refers to the gain of a single antenna.</p>
<b>MIMO</b>	<p>2.4 GHz: dual-stream, 2 x 2 MIMO</p> <p>5 GHz: dual-stream, 2 x 2 MIMO</p>

<p><b>Max. Wi-Fi Speed</b></p>	<p>2.4 GHz: 400 Mbps 5 GHz: 867 Mbps Combined: 1267 Mbps</p>
<p><b>Modulation Mode</b></p>	<p>OFDM: BPSK@6/9 Mbps, QPSK@12/18 Mbps, 16QAM@24 Mbps, 64QAM@48/54 Mbps DSSS: DBPSK@1 Mbps, DQPSK@2 Mbps, CCK@5.5/11 Mbps MIMO-OFDM: BPSK, QPSK, 16QAM, 64QAM, 256QAM, OFDMA</p>
<p><b>Receive Sensitivity</b></p>	<p>11b/g: -92 dBm (1 Mbps), -90 dBm (5.5 Mbps), -88 dBm (11Mbps) 11a: -90 dBm (6 Mbps), -82 dBm (24 Mbps), -78 dBm (36 Mbps), -72 dBm (54 Mbps) 11n: 20 MHz: -85 dBm (MCS0), -67 dBm (MCS7) 11n: 40 MHz: -82 dBm (MCS0), -64 dBm (MCS7) 11ac: 20 MHz: -85 dBm (MCS0), -62 dBm (MCS8) 11ac: 40 MHz: -82 dBm (MCS0), -59 dBm (MCS8) 11ac: 80 MHz: -82 dBm (MCS0), -56 dBm (MCS9)</p>
<p><b>Max. Transmit Power</b></p>	<p>Frequency bands using and the max EIRP.</p> <hr/> <p> Note</p> <p>Country specific restrictions apply.</p> <hr/> <ul style="list-style-type: none"> <li>● European Union &amp; United Kingdom:             <ul style="list-style-type: none"> <li>○ 2400 ~ 2483.5 MHz, EIRP ≤ 20 dBm</li> <li>○ 5470 ~ 5725 MHz, EIRP ≤ 30 dBm</li> </ul> </li> <li>● Myanmar:             <ul style="list-style-type: none"> <li>○ 2400 ~ 2483.5 MHz, EIRP ≤ 23 dBm</li> <li>○ 5725 ~ 5825 MHz, EIRP ≤ 30 dBm</li> </ul> </li> <li>● Thailand:             <ul style="list-style-type: none"> <li>○ 2400 ~ 2483.5 MHz, EIRP ≤ 20 dBm</li> <li>○ 5470 ~ 5725 MHz, EIRP ≤ 30 dBm</li> <li>○ 5725 ~ 5825 MHz, EIRP ≤ 30 dBm</li> </ul> </li> <li>● Indonesia:             <ul style="list-style-type: none"> <li>○ 2400 ~ 2483.5 MHz, EIRP ≤ 36 dBm</li> <li>○ 5725 ~ 5825 MHz, EIRP ≤ 36 dBm</li> </ul> </li> <li>● Egypt:             <ul style="list-style-type: none"> <li>○ 2400 ~ 2483.5 MHz, EIRP ≤ 20 dBm</li> <li>○ 5150 ~ 5350 MHz, EIRP ≤ 23 dBm</li> </ul> </li> </ul>
<p><b>Power Step</b></p>	<p>1 dBm</p>
<p><b>Dimensions</b></p>	<p>220 mm x 50 mm x 35.7 mm (8.66 in. x 1.97 in. x 1.41 in.) (excluding mounting bracket and antenna) Antenna size: 184.8 mm (7.24 in.)</p>

<b>Net Weight</b>	Main Unit: ≤ 0.4 kg
<b>Service Ports</b>	1 x 10/100/1000 Base-T port, supporting IEEE 802.3af standard PoE power supply and 24 V passive PoE power supply. <hr/>  <b>Caution</b> For details about power supply restrictions, see <a href="#">1.4 Power Supply Technical Specifications</a> . <hr/>
<b>Management Port</b>	N/A
<b>LED Indicator</b>	1 x system LED
<b>Power Supplies</b>	IEEE 802.3af standard PoE power supply 24 V passive PoE power supply <hr/>  <b>Caution</b> For details about power supply restrictions, see <a href="#">1.4 Power Supply Technical Specifications</a> . <hr/>
<b>Max. Power Consumption</b>	≤ 14 W
<b>Environment</b>	Operating temperature: –30°C to +65°C (–22°F to +149°F)
	Storage temperature: –40°C to +80°C (–40°F to +176°F)
	Operating humidity: 10% to 95% RH (non-condensing)
	Storage humidity: 10% to 95% RH (non-condensing)
<b>Surge Protection</b>	2 kV
<b>Installation</b>	Wall mounting and pole mounting
<b>Certification</b>	CE
<b>MTBF</b>	> 400000 hrs

## 1.4 Power Supply Technical Specifications


### Caution

The RG-RAP52-OD product is currently compatible with all Ruijie PoE switches and two PoE injector models (RG-POE-AF15 and RG-POE-AT30) for power supply. However, it does not currently support power supply from RG-E-120 (GE) and RG-E-130 (GE) PoE injectors. If you encounter any power supply issues with third-party switches or PoE injectors, replace the switch or PoE injector with a compatible model.

The RG-RAP52-OD access point supports IEEE 802.3af standard PoE power supply and 24 V passive PoE power supply.

- When using a 24 V passive PoE adapter for power supply, use the passive PoE adapter approved by Ruijie Reeye. You are advised to purchase the adapter from us to ensure compatibility and optimal performance with our product.

---


 Warning

Ensure that the pinouts of the network cable are (pins 4, 5, 7, 8).

---

- When using a standard PoE power source for power supply, connect one end of the Ethernet cable to the LAN/PoE port of the device, and the other end to a PoE-enabled switch port or a PoE power supply. Ensure that the PoE power supply complies with the IEEE 802.3af standard.

---

 Warning

Ensure that the pinouts of the network cable are (pins 1, 2, 3, 6).

---

## 1.5 Cooling

The RG-RAP52-OD access point adopts a fanless design. Therefore, a sufficient clearance must be maintained around the device for cooling.

# 2 Preparing for Installation

## 2.1 Safety Precautions

---



### Note

- To prevent device damage and physical injury, please read the safety precautions carefully in this chapter.
  - The following safety precautions do not cover all possible hazardous situations.
- 

### 2.1.1 Installation Safety

- Do not expose the AP to high temperature, dust, or harmful gases.
  - Do not install the AP in an area prone to fire or explosions.
  - Keep the AP away from EMI sources such as large radar stations, radio stations, and substations.
  - Do not subject the AP to unstable voltage, vibration, and noises.
  - The installation site should be dry. Keep the AP at least 500 m (1640.42 ft.) away from the ocean and do not face it towards the sea breeze.
  - The installation site should be free from water including possible flooding, seepage, dripping, or condensation. The installation site should be selected according to network planning and communications equipment features, and considerations such as climate, hydrology, geology, earthquake, electrical power, and transportation.
- 



### Caution

Follow the installation instructions described in the guide correctly to install or remove the AP.

---

### 2.1.2 Handling Safety

- Do not move the installed AP frequently.
- Turn off all power supplies and unplug all power cables before you remove the AP.

### 2.1.3 Electrical Safety

---



### Warning

- Any non-standard and inaccurate electrical operation can cause an accident such as fire or electric shock, thus causing severe even fatal damages to humans and devices.
  - Direct or indirect contact with a wet object (or your finger) on the high voltage and power line can be fatal.
- 

- Please observe local regulations and specifications when performing electrical operations. Relevant operators must be qualified.
- Carefully check for any potential hazards in the working area such as damp/wet ground or floors.
- Find the location of the emergency power supply switch in the room before installation. Cut off the power

supply first in case of an accident.

- Be sure to make a careful check before shutting down the power supply.
- Do not place the device in a damp/wet location. Do not let any liquid enter the chassis.
- Keep the AP far away from grounding or lightning protection devices for power equipment.
- Keep the AP away from radio stations, radar stations, high-frequency high-current devices, and microwave ovens.

## 2.2 Installation Environment Requirements

For normal operation and prolonged service life of the access point, the installation site must meet the following requirements.

### 2.2.1 Ventilation

The access point adopts natural cooling. Reserve a sufficient clearance around the access point to ensure proper ventilation.

### 2.2.2 Temperature and Humidity

See the following table for temperature and humidity requirements.

**Table 2-1 Temperature and Humidity Requirements**

Temperature	Humidity
-30°C to +65°C (-22°F to +149°F)	10% to 95%RH (non-condensing)

To ensure the normal operation and service life of the AP, maintain appropriate temperature and humidity in the equipment room. Improper room temperature and humidity can cause damage to the device.

- High relative humidity may affect insulation materials, resulting in poor insulation and even electrical leakage. Sometimes it may lead to changes in the mechanical properties of materials and corrosion of metal parts.
- Low relative humidity can dry and shrink insulation sheets and cause static electricity that can damage the circuitry.
- High temperatures greatly reduce device reliability and shorten service life.

### 2.2.3 Waterproofing

The Ethernet cable must be pressed into the silicone pad before being connected to the Ethernet port on the device. Then, install the back cover to ensure effective waterproofing. (For more details, see the following installation sections.)

- Seal the unused ports using the connector plugs or cable glands to ensure that the access point is watertight.
- The cable glands must be used for all cables that are threaded through the ports to prevent exposing the access point interior to environmental elements. See [3.4.2 Connecting the Ethernet Cable](#) for details.

### 2.2.4 EMI

- Keep the AP as far away from the grounding equipment of the power device and the lightning prevention equipment as possible.

- Keep the AP away from radio stations, radar stations, high-frequency high-current devices, and microwave ovens.

## 2.3 Tools

Table 2-2 Tools

<b>Common Tools</b>	Phillips screwdriver, cables, cage nuts, diagonal plier, and band clamp
<b>Special Tools</b>	ESD gloves, wire stripper, crimping plier, RJ45 crimping plier, wire cutter, and waterproof adhesive tape
<b>Meters</b>	Multimeter and bit error rate tester (BERT)

---

 Note

The RG-RAP52-OD is delivered without a tool kit. The tool kit is customer-supplied.

---



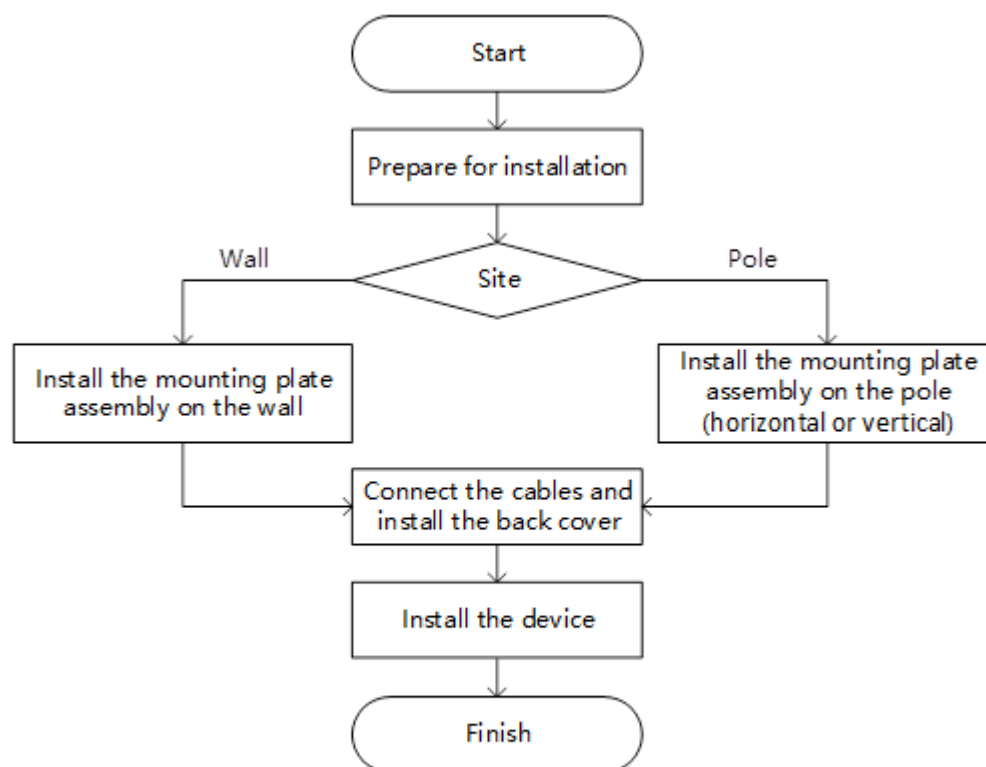
# 3 Installing the AP

The RG-RAP52-OD access point must be fixed outdoors.

**⚠ Caution**

Before installing the AP, make sure you have carefully read the requirements described in Chapter 2 and the requirements are all met.

## 3.1 Installation Flowchart



## 3.2 Before You Begin

Carefully plan and arrange the installation position, networking mode, power supply, and cabling before installation. Confirm the following requirements before installation:

- The installation site provides sufficient space for proper ventilation.
- The installation site meets the temperature and humidity requirements of the AP.
- The power supply and required current are available in the installation site.

- The selected power supply modules meet the system power requirements.
- The installation site meets the cabling requirements of the AP.
- The installation site meets the site requirements of the AP.
- The customized AP meets the client-specific requirements.

### 3.3 Precautions

The outdoor access point can be mounted on a wall or a pole with a diameter ranging from 50 mm to 70 mm (1.97 in. to 2.76 in.). If the diameter of the pole is out of this range, please prepare a hose clamp that can hold the pole. The thickness of the hose clamp should be at least 2.5 mm (0.10 in.). The installation site is determined by the technical personnel who conducts a site survey.

Please make sure that the installation site meets with the following requirements in [2.2 Installation Environment Requirements](#) and observe the following precautions:

- Do not power on the AP during installation.
- Install the AP in a well-ventilated location.
- Do not subject the AP to high temperature.
- Keep the AP away from high voltage cables.
- Do not expose the AP in a thunderstorm or strong electric field.
- Cut off the power switch before cleaning the AP.
- Do not wipe the device with a damp cloth.
- Do not wash the device with liquid.
- Do not open the enclosure when the AP is working.
- Secure the AP tightly.
- The device should be installed at a height beyond the reach of the human body.

### 3.4 Installing the AP

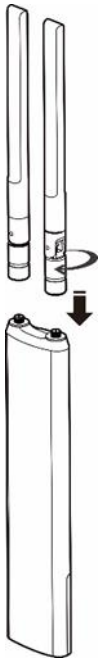
---

#### Note

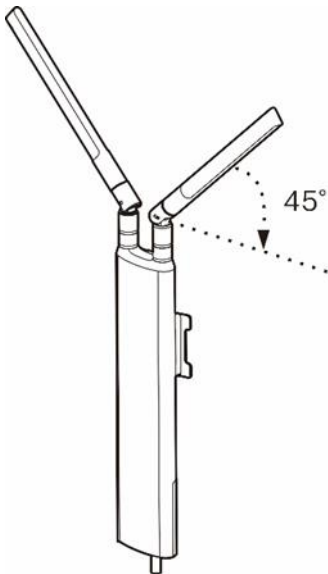
- Install the device in a manner that maximizes the coverage area of the antenna.
  - The schematic diagram provided is for reference purposes only. The actual product should be installed based on its physical specifications and design.
- 

#### 3.4.1 Installing the Antenna

- (1) Remove the antennas from the packaging and attach them to the antenna connectors on the AP. Tighten the antennas in a clockwise direction to securely fasten them in place.



- (2) Verify that the antennas are properly tightened. Then, adjust the antennas by bending them at a 45-degree angle to enhance wireless signal coverage.



### 3.4.2 Connecting the Ethernet Cable

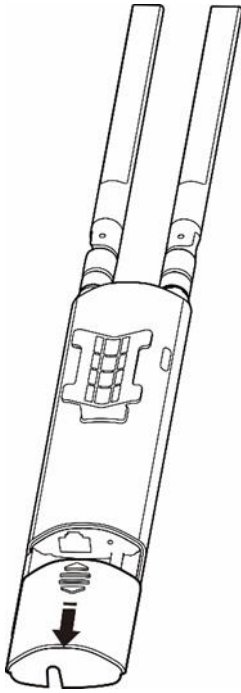
---

**⚠ Caution**

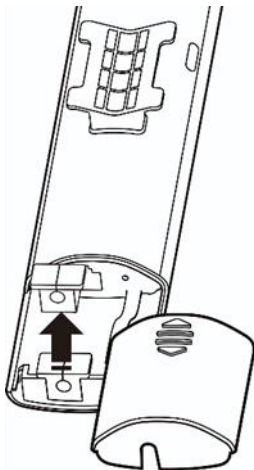
Ensure that the RJ45 connector of the Ethernet cable is properly connected to the AP. Incorrect connection of the RJ45 connector may result in abnormal network connection. When removing the Ethernet cable, first pull it out from the waterproof silicone slot, and then disconnect the RJ45 connector from the AP.

---

- (1) Push the back cover of the AP downwards to remove the back cover.



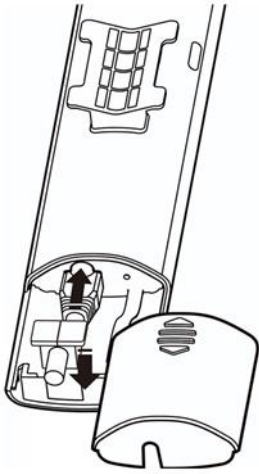
(2) Remove the silicone pad on the device.



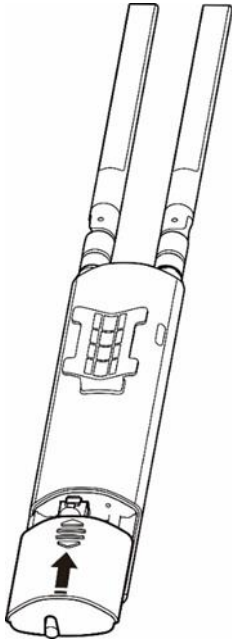
(3) Fully insert the Ethernet cable into the opening of the silicone pad, leaving about 5 cm from the RJ45 connector.



- (4) Insert the RJ45 connector into the LAN/PoE port on the device, and then put the silicone pad back into the slot on the device.



- (5) Install the back cover of the AP.



### 3.4.3 Installing the AP



#### Warning

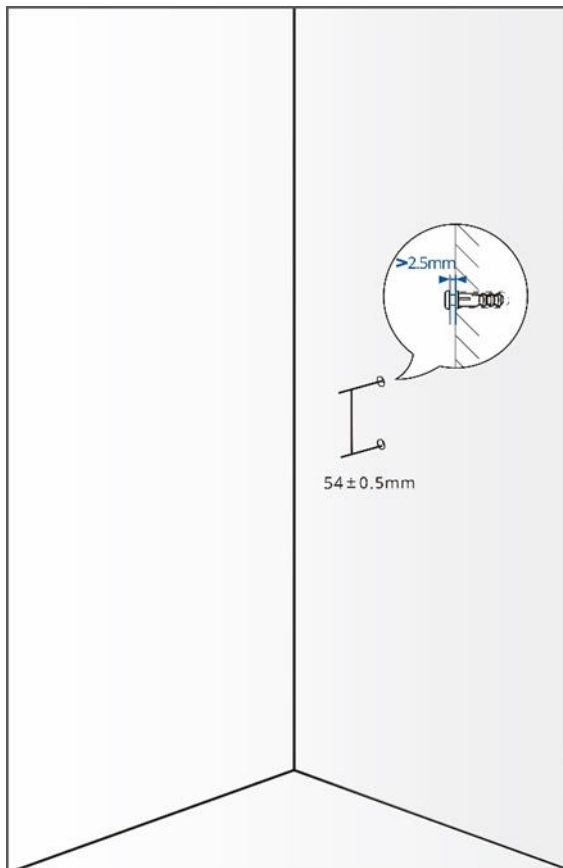
- The installation site should be free from water flooding, seepage, dripping, or condensation.
- When installing this device, ensure that the antenna end is facing upwards and the device is mounted perpendicular to the ground. Avoid tilting, leveling, or inverting the installation, as it may compromise the device's dust and water resistance performance.
- Power on the device only after it is properly installed.

If the installation site does not meet any of the requirements mentioned above, you are advised to take effective waterproof measures such as using a waterproof plaster or adhesive tape.

## 1. Mounting the AP on a Wall

The mounting bracket and expansion screws (3.5 mm × 25 mm) are required for wall mounting. Please follow the installation procedure outlined below:

- (1) Place the mounting bracket against the wall and adjust its position (pay attention to the designated areas for the AP and antennas). Use a marker to mark the positions for the wall anchors, with the center distance of the mounting hole being  $54 \pm 0.5$  mm (2.13 in.  $\pm 0.02$  in.). Next, use an electric drill to create a 3.5 mm (0.14 in.) hole.



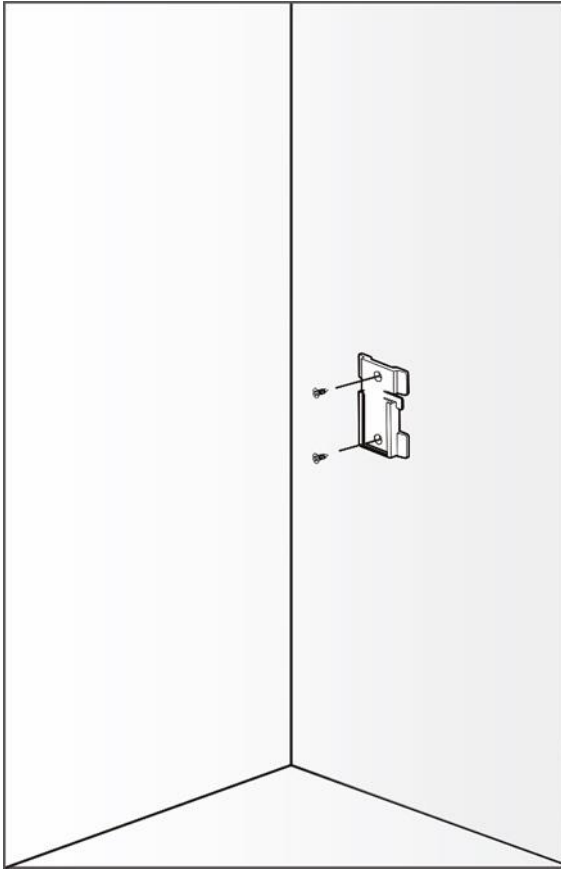
- (2) Attach the mounting bracket to the wall with two expansion screws (3.5 mm × 25 mm).

---

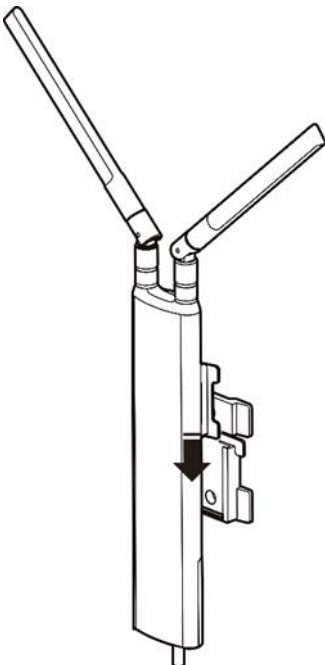
**⚠ Caution**

When installing the mounting bracket, ensure that the opening of the bracket is facing upwards.

---



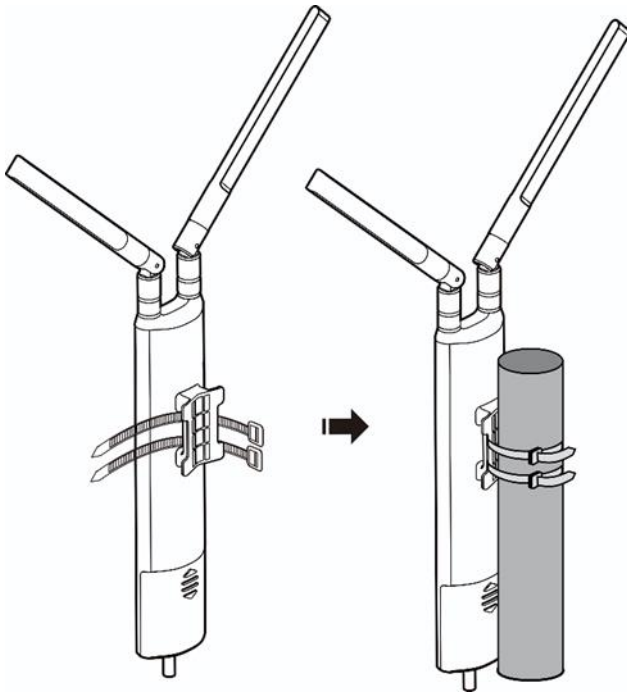
- (3) Push and slide the AP downwards to lock it in place. The installation is complete.



## 2. Mounting the AP on a Vertical Pole

- (1) Thread the band clamp through the hole on the back panel of the AP.

- (2) Wrap the band clamps around the pole and pull it tight. The installation is complete.



### 3.5 Bundling Cables

---

**⚠ Caution**

- The power cords and other cables should be bound in a visually pleasing way.
  - Make sure that the twisted pair cables at the connectors have natural bends or bends of large radius.
  - Do not over tighten cable bundle as it may reduce the cable life and performance.
- 

The steps for cable bundling are as follows:

- (1) Bundle the drooping part of the cables and place the bundle as near the ports as possible.
- (2) Route the cables under the AP and run them in straight line.

### 3.6 Checklist After Installation

- (1) Checking the AP
  - Verify that the external power supply matches with the requirement of the AP.
  - Verify that the AP is securely fastened.
- (2) Checking Cable Connections
  - Verify that the UTP/STP cable matches with the port type.
  - Verify that cables are properly bundled.
- (3) Checking Power Supply
  - Verify that the power cord is properly connected and compliant with safety requirements.
  - Verify that the AP works properly when powered by the power supply.



# 4 Debugging

## 4.1 Setting up Configuration Environment

Use a 24 V passive PoE adapter or PoE power source to supply power to the device.

- Before powering on the device using a 24 V passive PoE adapter or PoE power source, verify that the power cord is properly connected, and that the configuration environment meets the safety requirements.
- Before performing debugging over a serial port connection, verify that both the PC and the PoE switch are properly grounded.

## 4.2 Powering on the AP

### 4.2.1 Checklist Before Power-on

- Verify that the access point has adequate earth ground.
- Verify that the power cord is properly connected.
- Verify that the input voltage meets with the requirement of the access point.

### 4.2.2 Checklist After Power-on

- Verify that there is system log printed on the terminal interface.
- Verify the LED status.

# 5 Monitoring and Maintenance

## 5.1 Monitoring

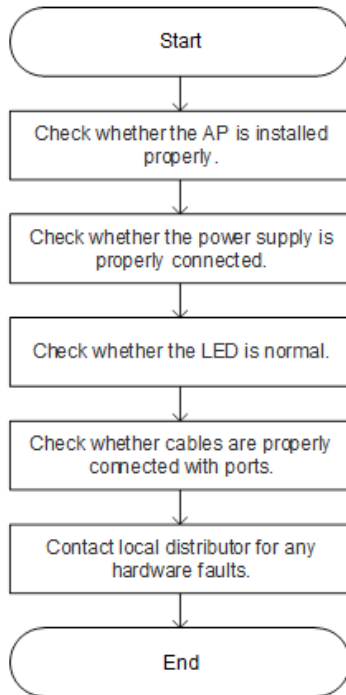
When RG-RAP52-OD is operating, you can monitor its status by observing the LEDs.

## 5.2 Maintenance

If the hardware is faulty, please contact Ruijie technical support for assistance.

# 6 Troubleshooting

## 6.1 General Troubleshooting Flowchart



## 6.2 Common Faults

- The status LED is off after the AP is powered on.
  - If the AP is powered by PoE, verify that the PSE is 802.3bt-compliant and the Ethernet cable is connected properly.
  - If the AP is powered by a DC adapter, verify that the adapter has mains input and works properly and the adapter supports 48 V DC output.
- The Ethernet port or the optical port does not work after the Ethernet cable or the optical cable is plugged in.
  - Check whether the peer device is working properly. Then verify that the cable is capable of providing the required data rate and is properly connected.
- The client cannot find the AP.
  - Verify that the AP is properly powered.
  - Verify that the Ethernet port or the optical port is correctly connected.
  - Verify that the AP is correctly configured.
  - Move the client device to adjust the distance between the client and the AP.

# 7 Appendixes

## 7.1 Connectors and Media

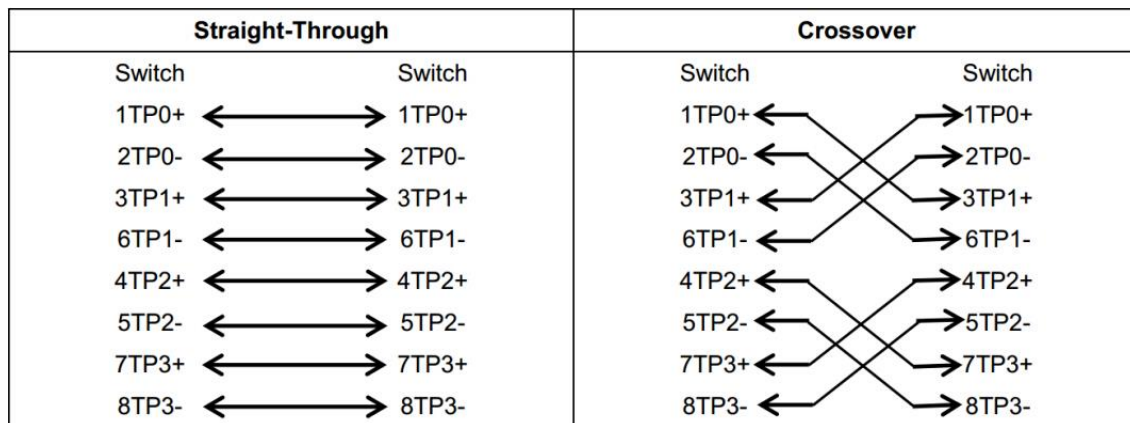
### 1000BASE-T/100BASE-TX/10BASE-T Port

The 1000BASE-T/100BASE-TX/10BASE-T is a 10/100/1000 Mbps auto-negotiation port that supports auto MDI/MDIX Crossover.

Compliant with IEEE 802.3ab, 1000BASE-T requires Category 5e 100-ohm UTP or STP (recommended) with a maximum distance of 100 meters (328 feet).

The 1000BASE-T port requires all four pairs of wires to be connected for data transmission. The following figure shows the four pairs of wires for the 1000BASE-T port.

**Figure 7-1 1000BASE-T Twisted Pair Connections**



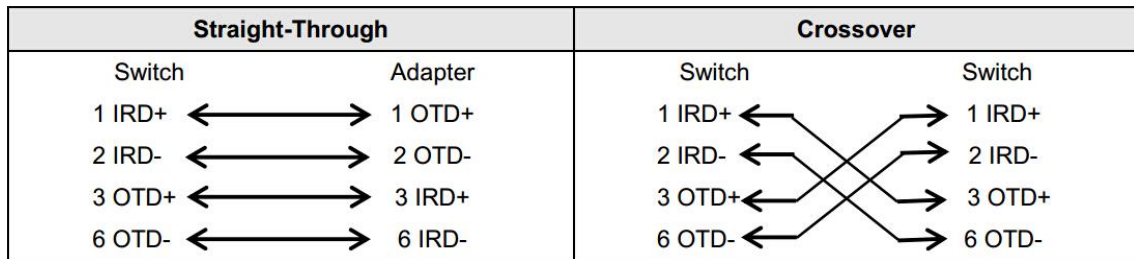
100BASE-TX/10BASE-T can be interconnected using cables of the preceding specifications. For 10 Mbps, the 100BASE-TX/10BASE-T port can be connected using 100-ohm Category 3, Category 4, and Category 5 cables; for 100 Mbps, the 100BASE-TX/10BASE-T port can be connected using 100-ohm Category 5 cables with a maximum distance of 100 meters (328 ft.). The following table shows 100BASE-TX/10BASE-T pin assignments.

**Table 7-1 100BASE-TX/10BASE-T Pin Assignments**

Pin	Socket	Plug
1	Input Receive Data+	Output Transmit Data+
2	Input Receive Data-	Output Transmit Data-
3	Output Transmit Data+	Input Receive Data+
6	Output Transmit Data-	Input Receive Data-
4, 5, 7, 8	Not Used	Not Used

The following figure shows feasible connections of the straight-through and crossover twisted pairs for a 100BASE-TX/10BASE-T port.

**Figure 7-2 100BASE-TX/10BASE-T Twisted Pair Connections**



## 7.2 Cabling Recommendations

During installation, route cable bundles upward or downward along the sides of the rack depending on the actual situation in the equipment room. All cable connectors used for transit should be placed at the bottom of the cabinet rather than be exposed outside of the cabinet. Power cords are routed beside the cabinet, and top cabling or bottom cabling is adopted according to the actual situation in the equipment room, such as the positions of the DC power distribution box, AC socket, or lightning protection box.

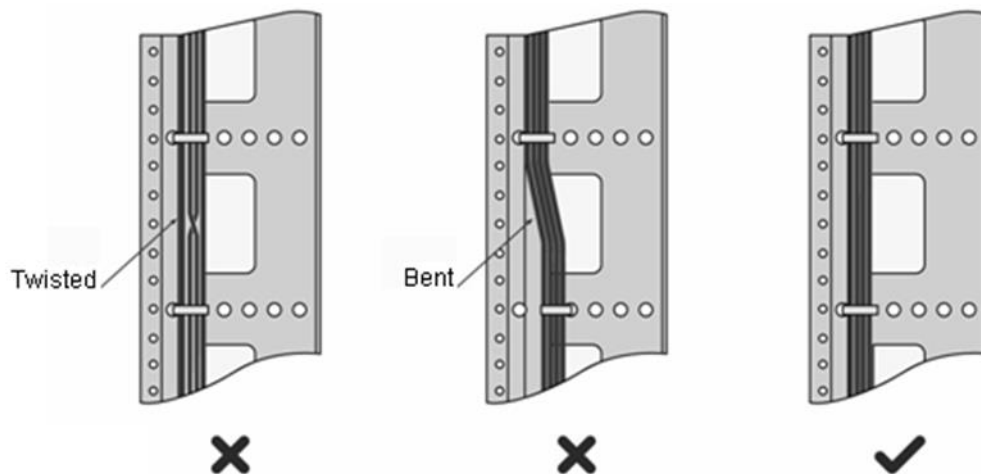
### 7.2.1 Requirements for Cable Bend Radius

- The bend radius of a fixed power cord, network cable, or flat cable should be over five times greater than their respective diameters. The bend radius of these cables that are often bent or plugged should be over seven times greater than their respective diameters.
- The bend radius of a fixed common coaxial cable should be over seven times greater than its diameter. The bend radius of the common coaxial cable that is often bent or plugged should be over 10 times greater than its diameter.
- The bend radius of a fixed high-speed cable (such as an SFP+ cable) should be over five times greater than its diameter. The bend radius of the fixed high-speed cable that is often bent or plugged should be over 10 times greater than its diameter.

### 7.2.2 Precautions for Bundling up Cables

- Before cables are bundled, mark labels and stick the labels to cables wherever appropriate.
- Cables should be neatly and properly bundled in the rack without twisting or bending.

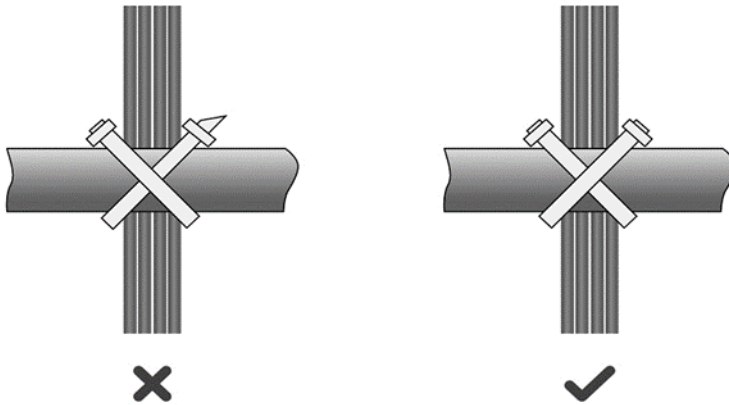
Figure 7-3 Bundling up Cables (1)



- Cables of different types (such as power cords, signal cables, and grounding cables) should be separated in cabling and bundling. Mixed bundling is disallowed. When they are close to each other, you are advised to adopt crossover cabling. In the case of parallel cabling, maintain a minimum distance of 30 mm (1.18 in.) between power cords and signal cables.
- The cable management brackets and cabling troughs inside and outside the cabinet should be smooth without sharp corners.

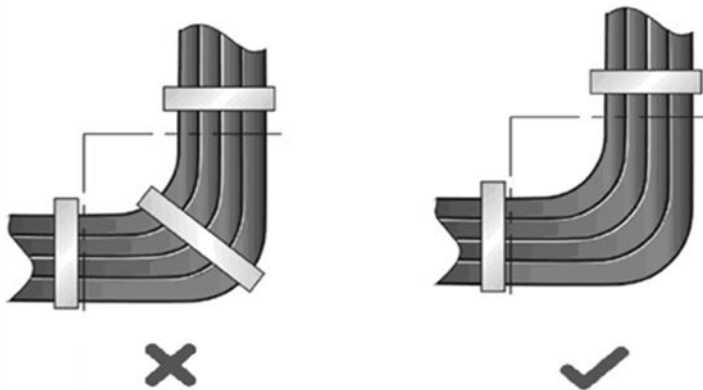
- The metal hole traversed by cables should have a smooth and fully rounding surface or an insulated lining.
- Use cable ties to bundle up cables properly. Please do not connect two or more cable ties to bundle up cables.
- After bundling up cables with cable ties, cut off the remaining part. The cut should be smooth and trim, without sharp corners.

**Figure 7-4 Bundling up Cables (2)**



- When cables need to be bent, you should first bundle them up. However, the buckle cannot be bundled within the bend area. Otherwise, considerable stress may be generated in cables, breaking cable cores.

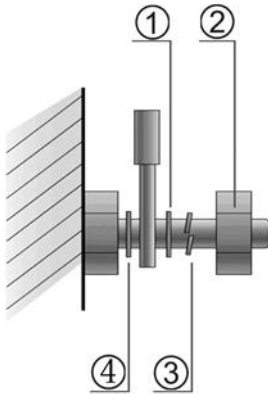
**Figure 7-5 Bundling up Cables (3)**



- Cables not to be assembled or remaining parts of cables should be folded and placed in a proper position of the rack or cable trough. The proper position refers to a position that does not affect device running or damage the device or cable.
- 220 V and 48 V power cords must not be bundled on the guide rails of moving parts.
- The power cords connecting moving parts such as grounding cables should be reserved with some access after being assembled to avoid suffering tension or stress. After the moving part is installed, the remaining cable part should not touch heat sources, sharp corners, or sharp edges. If heat sources cannot be avoided, high-temperature cables should be used. If heat sources cannot be avoided, high-temperature cables should be used.

- When screw threads are used to fasten cable terminals, the anchor or screw must be tightly fastened, as shown in Figure 7-6.

**Figure 7-6 Cable Fastening**



1. Flat Washer	3. Spring Washer
2. Nut	4. Flat Washer

- Hard power cords should be fastened in the terminal connection area to prevent stress on terminal connection and cable.
- Do not use self-tapping screws to fasten terminals.
- Power cords of the same type and in the same cabling direction should be bundled up into cable bunches, with cables in cable bunches clean and straight.
- Binding by using buckles should be performed according to Table 7-2.

**Table 7-2 Cable Bunch**

Cable Bunch Diameter	Distance between Every Binding Point
10 mm (0.39 in.)	80 mm to 150 mm (3.15 in. to 5.91 in.)
10 mm to 30 mm (0.39 in. to 1.18 in.)	150 mm to 200 mm (5.91 in. to 7.87 in.)
30 mm (1.18 in.)	200 mm to 300 mm (7.87 in. to 11.81 in.)

- No knot is allowed in cabling or bundling.
- For wiring terminal blocks (such as air switches) of the cold pressing terminal type, the metal part of the cord end terminal should not be exposed outside the terminal block when assembled.