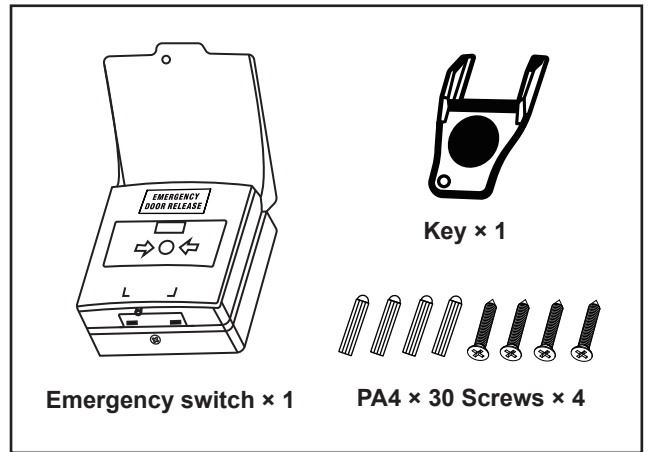


Resettable Call Point Installation Manual

✧ Features

1. Default green color, it could be customized other colors.
2. Press the pressing plate to enable the output function.
3. Pressing plate with status shown.
4. Reversionary key with non-slip design.
5. Easy to assemble, 3 sets of output points to connect other equipment embedded or surface installations to select.

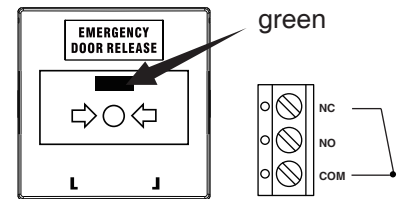
✧ Accessories



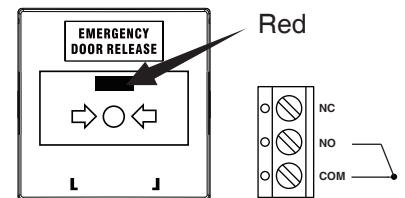
✧ Specification

Items	Specification	Note
Indicator	Standby green indicate sticker active red indicate sticker	
Output	Triple NO/NC/COM output	
Weight	150g	
Dimensions	90mm(L)x95mm(W)x45mm(H)	
Material	ABS, PC(transparent part)	

● Standby

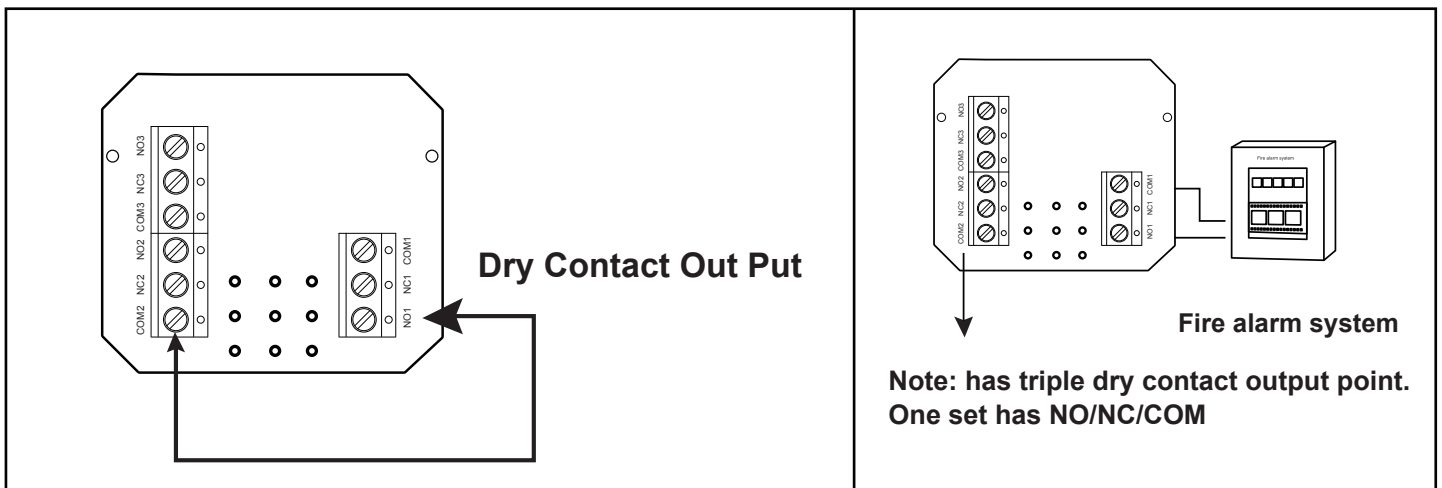


● Operation



✧ Connections

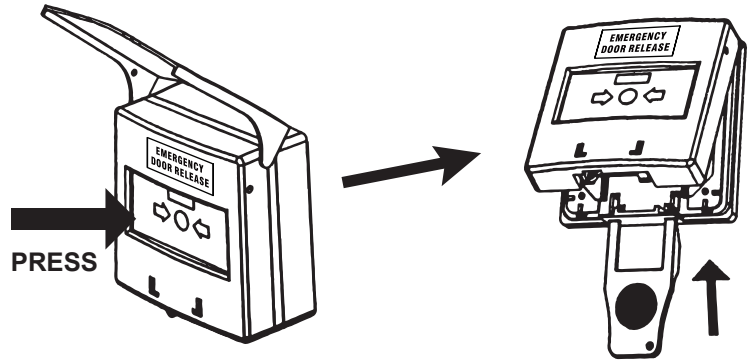
✧ Wiring Diagram



※ Attention before installation

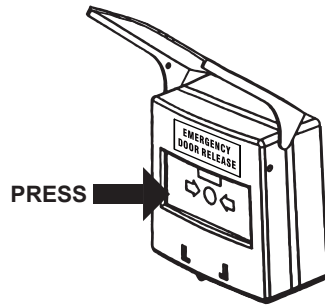
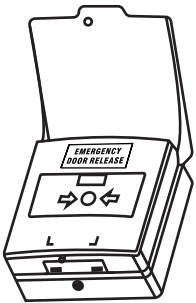


Please press the pressing plate to make sure the states turn red before opening the front and middle covers in order to prevent the spring being popped out

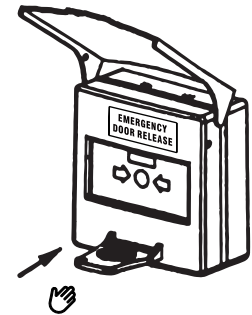


※ Installation

Installations for user



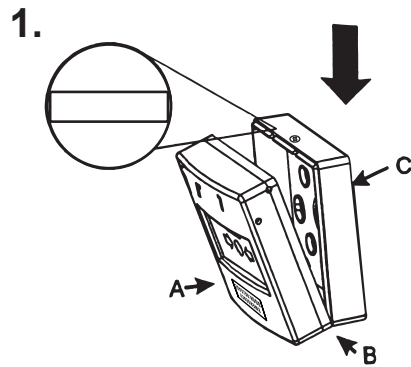
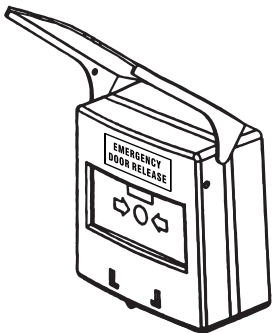
PRESS the plate to Active



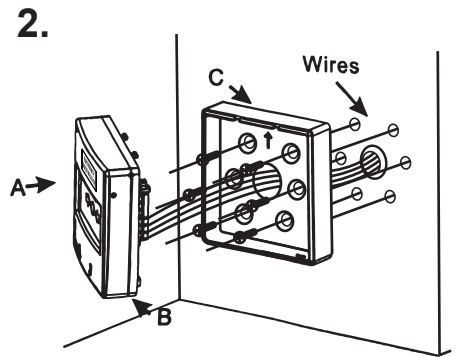
Insert the key to recover

Installation steps

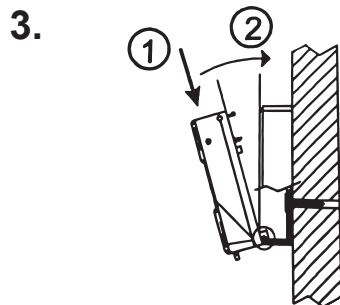
Completed



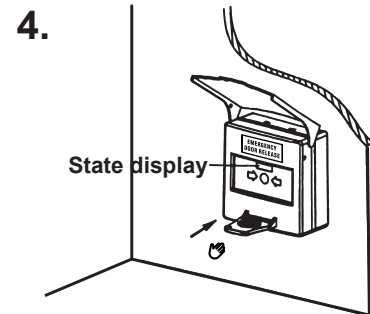
1. Unscrew the screws to remove the fasteners on B and C



2. Fix bottom cover C and connect the wires



3. Fastening the unit as the diagram shown above lock the screw at the bottom



4. Insert the key into the key hole. pull the key out when the states turn green to complete the setting