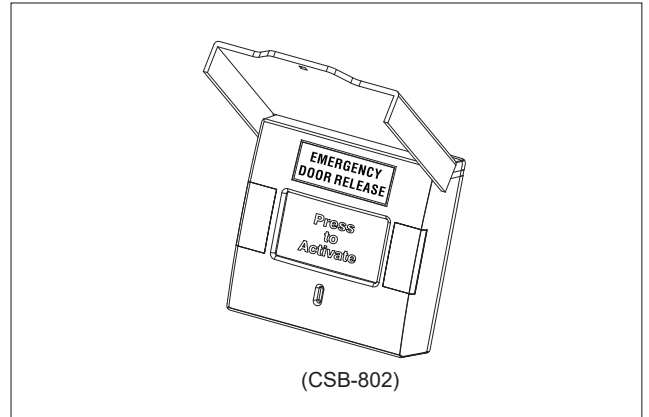


# Resetable Call Point Installation Manual

## Features

1. The housing is available in a variety of colors.
2. Press the pressing plate to enable the contact output function.
3. Resettable design, with a large number of obvious indicators around.
4. Pressing plate is with status shown.
5. With special reset tool, compact appearance, easy to carry and collection.
6. Built-in buzzer status could be set as silent and continuous wailing.
7. Warning light status could be set as continuous flashing and keeping light.
8. Input power range is DC 12-24V, matching the various types of fire alarm system's request.
9. Surface mount without screws and with protect cover.

## Optional Design

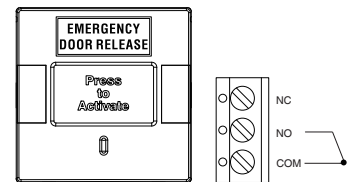


## Specification

Item	Mode	CSB-802	Remark
Power		DC12-24V	±10%
Working current		DC 12V/≤30mA(Standby)/≤100mA(trigger)	±10%
		DC 24/≤30mA(Standby)/≤100mA(trigger)	
Buzzer		Set to silent or buzzer continuously	
Indicator light		Default Green, Active Red; Light can be set as continuous flashing or keep lighting	
Output		3NO/3NC/3COM, DC12V/0.5A	
Weight		200g	
Size		91mm*96mm*34.5mm (with cover)	
Material		ABS,PC. (Cover parts)	

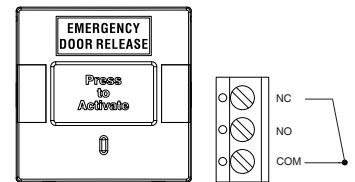
### ● Standby

Display status: green

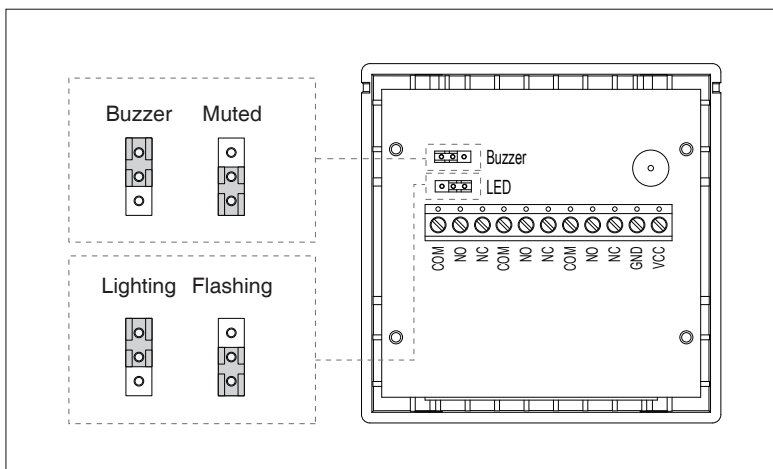


### ● Action

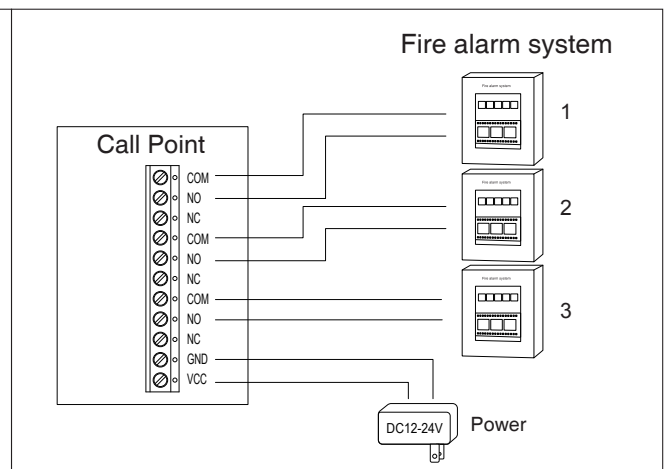
Display status: red



## Wiring Instruction



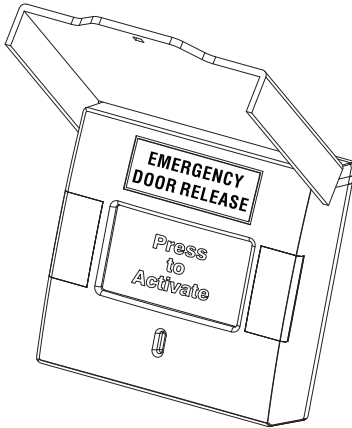
## Installation



# Installation

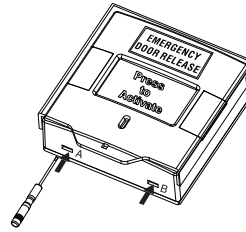
## Installation steps

Completed



1

Step 1



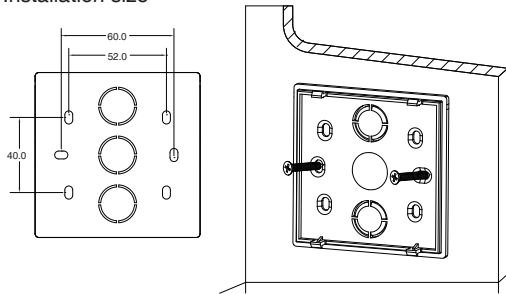
Step 2



During installation, Take off the back box with the reset tool. Insert the reset pole about 1CM at front hole and pry up to open the front case.

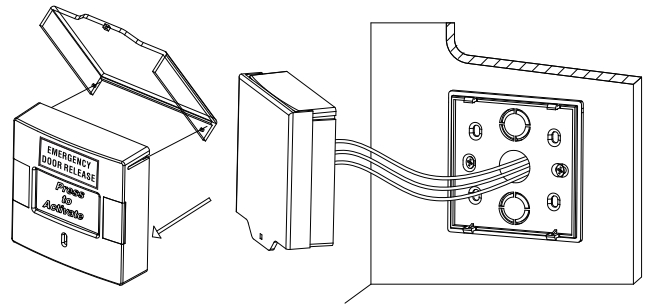
2

Installation size



Fixed the back box on the wall.

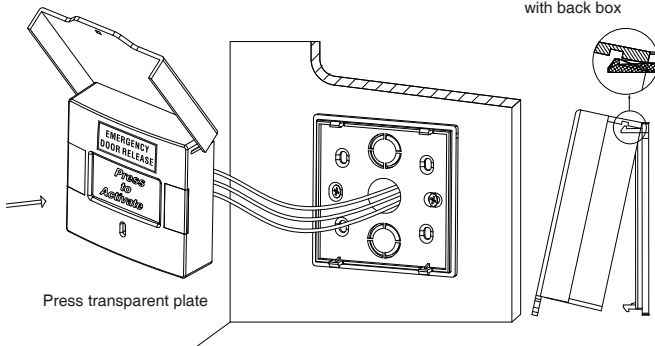
3



Put the protection cover onto the front case and connect the wire correctly.

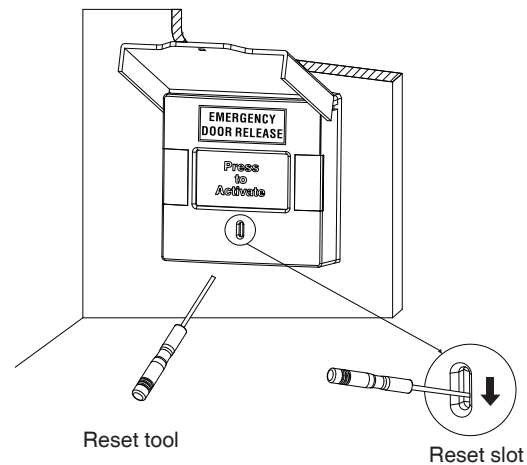
4

Fasten the front cover with back box



Fasten the front case on the back box. (Remark: before fasten the front case, you could test the function first. You could press the pressing plate and the buzzer will sound or silent and LED will change the color. LED will keep lighting or flashing base on your jump cap position)

5



Insert the pole and drop down to remove the alarm.