



AV600 Powerline Starter Kit

Extend Reliable Wired Connection to Every Room

TL-PA411 KIT



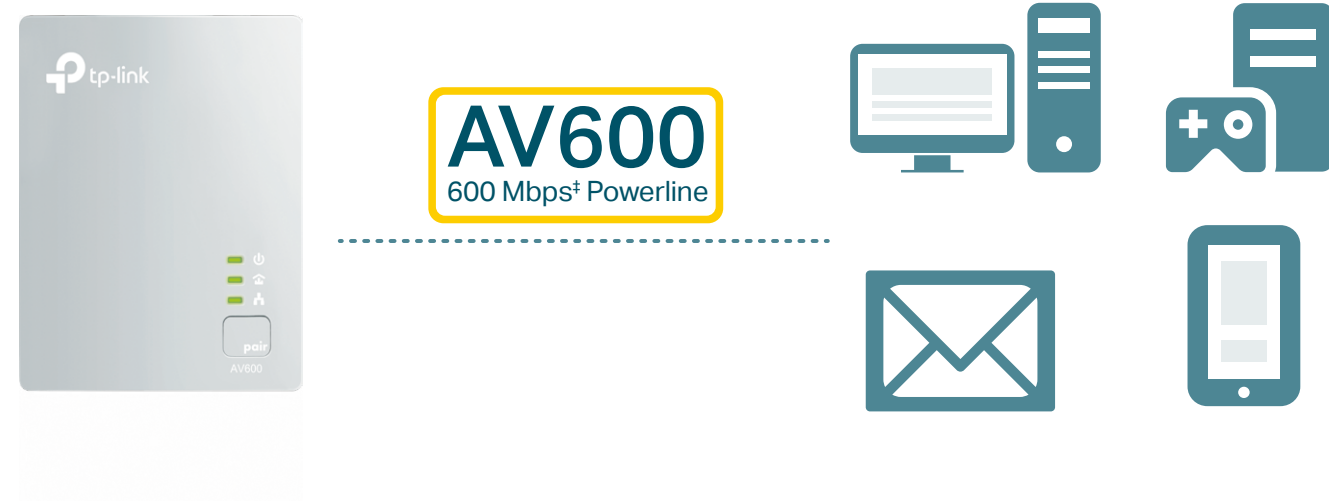
 Plug and Play

 Compact Design

Highlights

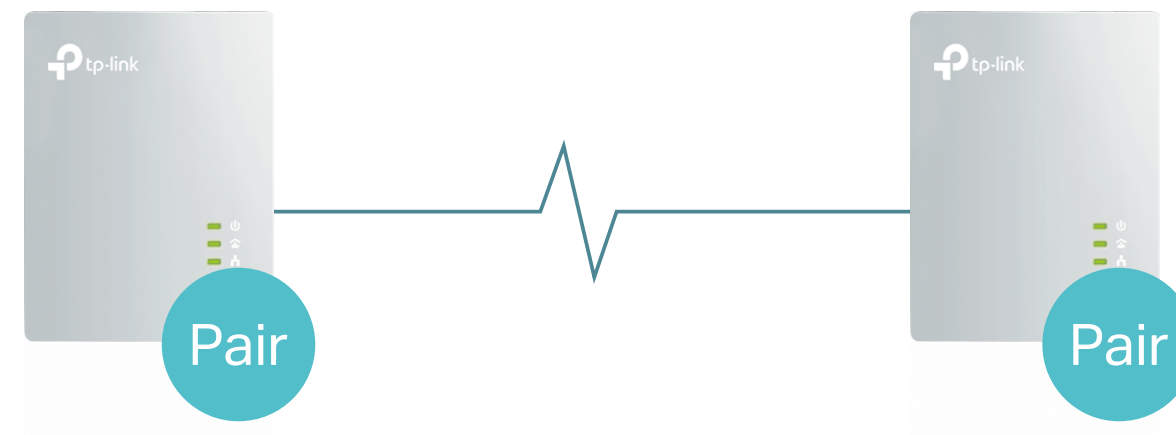
HomePlug AV Standard Compliant

The HomePlug AV standard creates high-speed data transfer rates of up to 600Mbps to support all your online activities.



One-Button Security

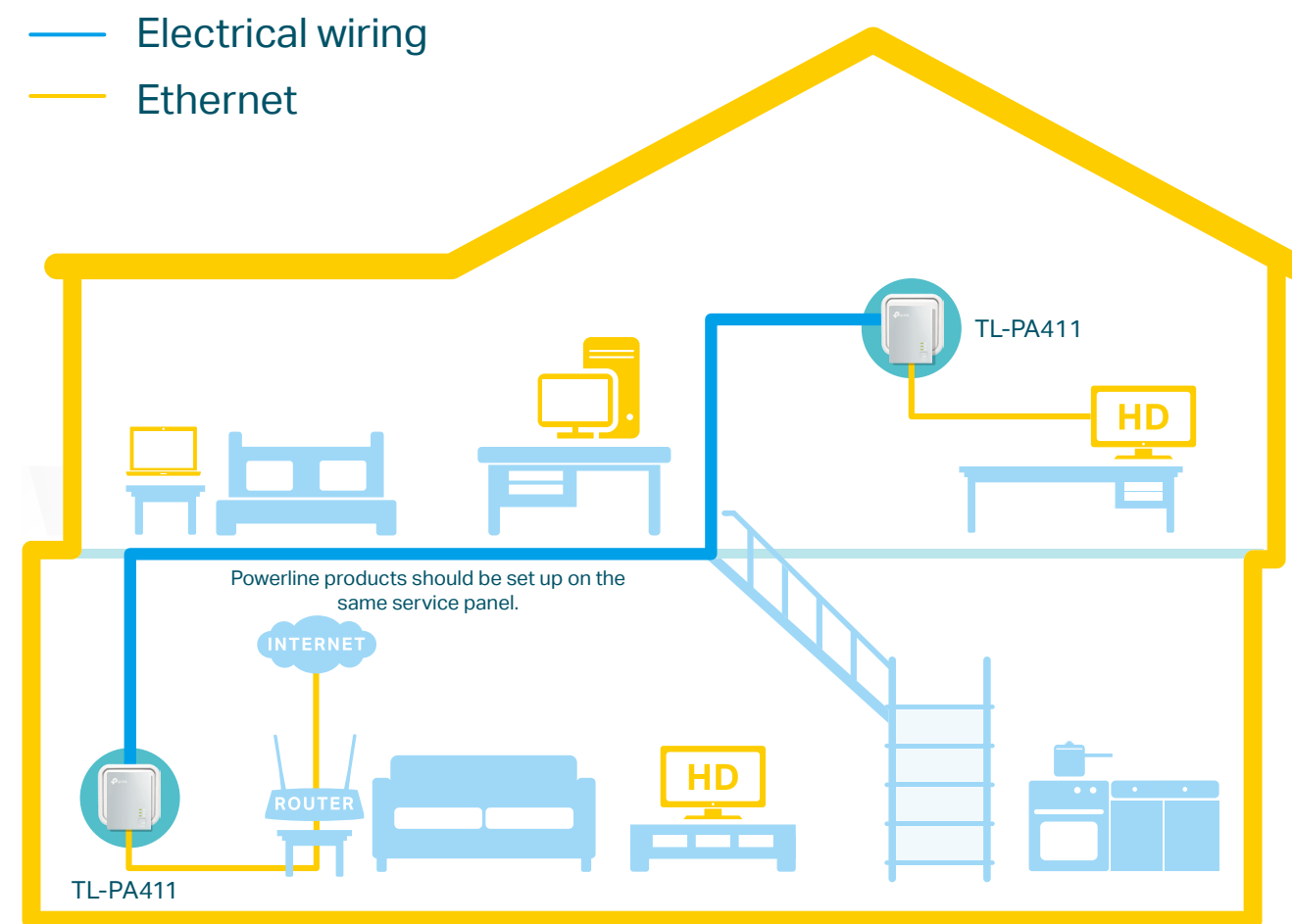
Simply push the Pair button on the adapters, and quickly set up a hassle-free powerline network.



Highlights

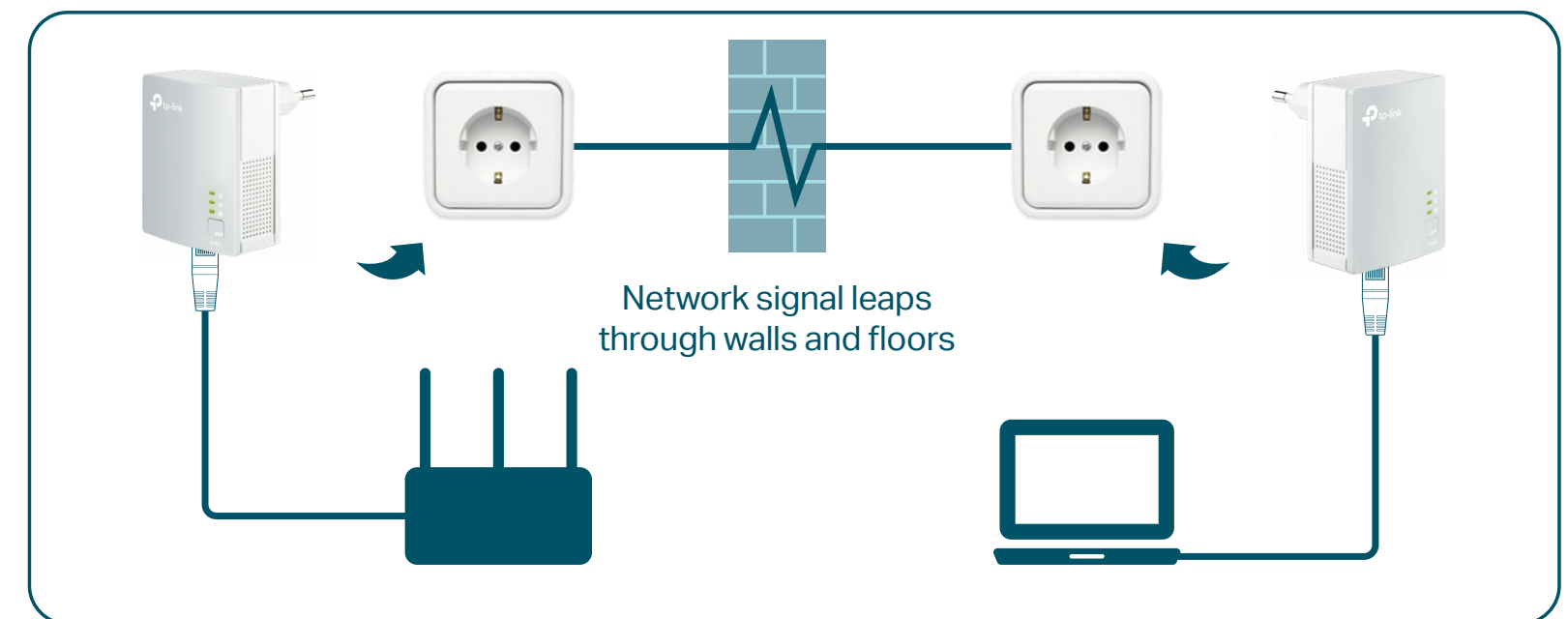
Extend Internet to Every Room Using Existing Electrical Wiring

- No need for new wires or drilling
- Network passes through walls and floors



Plug and Play

Powerline adapters and extenders must be deployed in a set of two or more, and be connected to the same service panel.



Features

Speed

- Ultra-fast Powerline Speed – HomePlug AV2 standard compliant, high-speed data transfer rate of up to 600Mbps, ideal for Ultra HD streaming and online gaming
- Ethernet Port – The Ethernet port allows your TV, game console or PC to connect to the internet at high speed

Ease of Use

- Plug, pair and play – Plug, pair and play, no configuration required
- No new wires – No new wires, use existing electrical wiring to expand your home network
- TP-Link tpPLC – Allows you to easily manage your network using the tpPLC Utility

Range

- 300 meters Range – Up to 300 meters / 1000 feet range over the existing household power circuit.

Security

- Pair Button – 128-bit AES encryption easily at a push of the "Pair" button

Design

- Compact Design – Small and elegant, fits your room

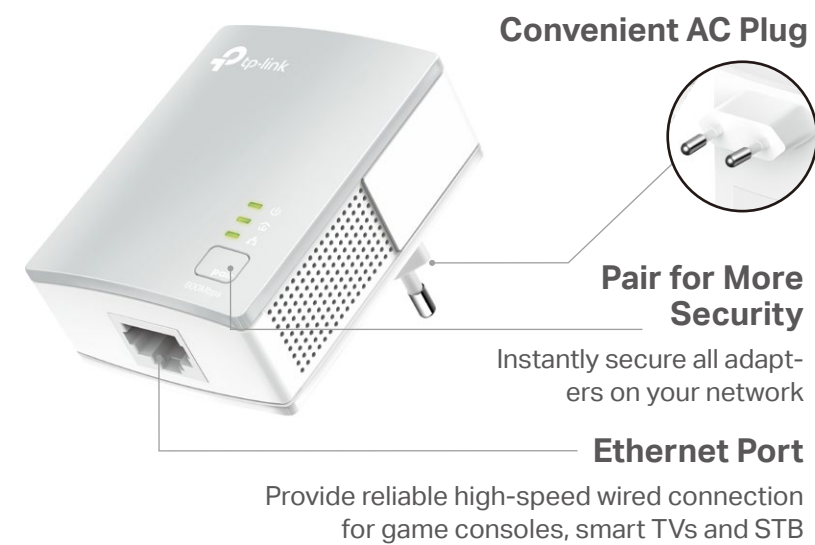
Energy Saving

- Power Saving – Power Saving Mode helps reducing power consumption by up to 85%

Specifications

Hardware

- Plug Type: EU
- Standards and Protocols: HomePlug AV, IEEE 1901, IEEE 802.3, IEEE 802.3u
- Power Consumption: Maximum: 3.12W (230V/50Hz)
Typical: 2.34W (230V/50Hz)
Standby: 0.71W (230V/50Hz)
- Range: 300 meters / 1000 feet over service panel
- Button: Pair Button
- LED Indicator: Power, Powerline, Ethernet
- Dimensions (W x D x H): 2.0 x 1.1 x 2.6 in (52 x 28.5 x 65 mm)



For more information, please visit

https://www.tp-link.com/products/details/?model=TL-PA411+KIT_V5

or scan the QR code left

Specifications are subject to change without notice.

All the brands and product names are trademarks or registered trademarks of their respective holders.

[†]Compatible with all HomePlug AV and AV2 Standard Powerline adapters. This product may not be compatible with routers or gateways with firmware that has been altered, is based on open source programs, or are non-standard or outdated.

[‡]Maximum Powerline signal rates are the physical rates derived from HomePlug AV/AV2 specifications. Actual Powerline data throughput and Powerline range are not guaranteed and will vary as a result of network conditions and environmental factors, including electrical interference, volume of traffic and network overhead, AFCI circuit breaker, and Powerline adapters separated between two or more service panels.

[§]The Power Saving feature takes effect when your appliances are disconnected or turned off. Actual power saving data will vary in different network conditions and environments.

Actual network speed may be limited by the rate of the product's Ethernet WAN or LAN port, the rate supported by the network cable, Internet service provider factors and other environmental conditions.

©2023 TP-Link

Software

- Modulation Technology: OFDM (PLC)
- Encryption: Powerline Security: 128-bit AES

Others

- Certification: CE, RoHS
- Package Contents:
AV600 Powerline Adapter 2 x TL-PA411
2 x Ethernet Cable
Quick Installation Guide
- System Requirements:
Windows 2000/XP/2003/Vista, Windows 7/8/8.1/10/11, Mac, Linux
- System Requirements for tpPLC Utility:
Windows 11/10/8.1/8/7 and Mac OS 10.15 or later
- Environment:
Operating Temperature: 0°C~40°C (32°F ~104°F)
Storage Temperature: -40°C~60°C (-40°F ~140°F)
Operating Humidity: 10%~90% non-condensing
Storage Humidity: 5%~90% non-condensing

www.tp-link.com

TP-Link AV600 Powerline Starter Kit TL-PA411 KIT