

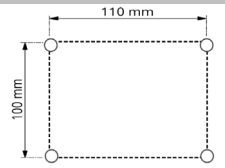
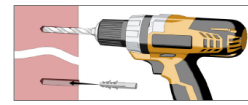
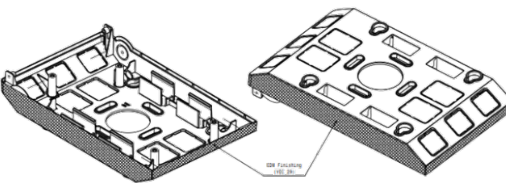
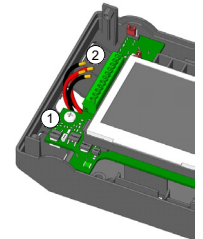


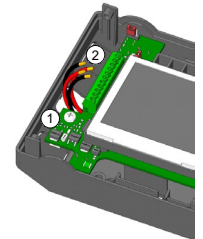
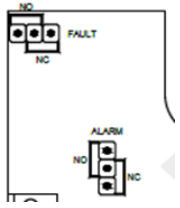
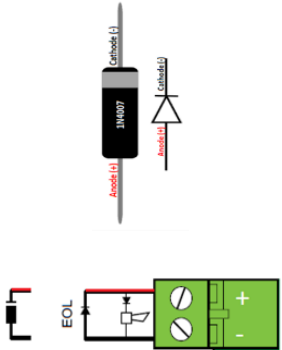

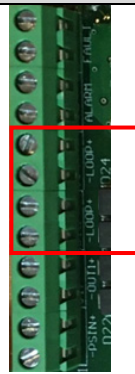

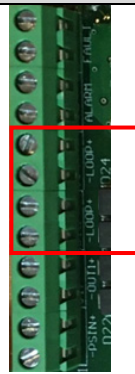


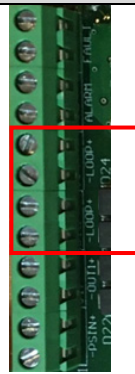


<p>Morley LT-32</p> 	<p>Morley LT-159</p> 	<p>Panel Installation - Three Steps Process</p>  <p>STEP 1 According to the figure, mark the required hole on the wall.</p>  <p>STEP 2 All fixing point must be used. Use 50 mm long x 5 mm diameter screws to secure the backbox on the wall.</p>	<p>Cable Entries</p>  <ul style="list-style-type: none"> • Upper and lower cable entry for 15 mm gland • Side entry; 3 on each side (21 x 21 mm easy access) • Central entry prepared for 60 mm universal flush box 	<p>Field Cable Entry</p> 
<p>Power supply and batteries are required for commissioning!</p> 		<p>STEP 3 Align the screws on the cover with the keyhole on the back box and lock the cover onto the backbox.</p> 	 <p>Remove the keyholes ① and pass the cables ② through them.</p>	

System Setup and Cabling

<p>Alarm and Fault Relay Move the Jumper to Setup NO or NC relay functionality.</p> 	<p>Sounder circuit End of line diode cathode marker on positive terminal.</p> 	<table border="1"> <thead> <tr> <th>LT-32</th> <th>Ref.</th> <th>Description</th> <th>LT-159</th> <th>Ref.</th> <th>Description</th> </tr> </thead> <tbody> <tr> <td rowspan="12"></td> <td>1</td> <td>Fault NO/NC</td> <td rowspan="12"></td> <td>1</td> <td>Fault NO/NC</td> </tr> <tr> <td>2</td> <td>Fault C</td> <td>2</td> <td>Fault C</td> </tr> <tr> <td>3</td> <td>Alarm NO/NC</td> <td>3</td> <td>Alarm NO/NC</td> </tr> <tr> <td>4</td> <td>Alarm C</td> <td>4</td> <td>Alarm C</td> </tr> <tr> <td>5</td> <td>Loop A +</td> <td>5</td> <td>Loop A +</td> </tr> <tr> <td>6</td> <td>Loop A -</td> <td>6</td> <td>Loop A -</td> </tr> <tr> <td>7</td> <td>Sounder 2 +</td> <td>7</td> <td>Loop B +</td> </tr> <tr> <td>8</td> <td>Sounder 2 -</td> <td>8</td> <td>Loop B -</td> </tr> <tr> <td>9</td> <td>Sounder 1 +</td> <td>9</td> <td>Sounder 1 +</td> </tr> <tr> <td>10</td> <td>Sounder 1 -</td> <td>10</td> <td>Sounder 1 -</td> </tr> <tr> <td>11</td> <td>Power +</td> <td>11</td> <td>Power +</td> </tr> <tr> <td>12</td> <td>Power -</td> <td>12</td> <td>Power -</td> </tr> </tbody> </table> <p>Panel Connection Highlighted the differences between panel LT-32 and LT-159.</p>	LT-32	Ref.	Description	LT-159	Ref.	Description		1	Fault NO/NC		1	Fault NO/NC	2	Fault C	2	Fault C	3	Alarm NO/NC	3	Alarm NO/NC	4	Alarm C	4	Alarm C	5	Loop A +	5	Loop A +	6	Loop A -	6	Loop A -	7	Sounder 2 +	7	Loop B +	8	Sounder 2 -	8	Loop B -	9	Sounder 1 +	9	Sounder 1 +	10	Sounder 1 -	10	Sounder 1 -	11	Power +	11	Power +	12	Power -	12	Power -	<p>Battery Connection Batteries connected in two rows ③ with polarity as shown.</p> 
LT-32	Ref.	Description	LT-159	Ref.	Description																																																						
	1	Fault NO/NC		1	Fault NO/NC																																																						
	2	Fault C		2	Fault C																																																						
	3	Alarm NO/NC		3	Alarm NO/NC																																																						
	4	Alarm C		4	Alarm C																																																						
	5	Loop A +		5	Loop A +																																																						
	6	Loop A -		6	Loop A -																																																						
	7	Sounder 2 +		7	Loop B +																																																						
	8	Sounder 2 -		8	Loop B -																																																						
	9	Sounder 1 +		9	Sounder 1 +																																																						
	10	Sounder 1 -		10	Sounder 1 -																																																						
	11	Power +		11	Power +																																																						
	12	Power -		12	Power -																																																						

Additional and updated Informations
The described features, specifications and product related informations in this manual correspond to the date of issue (refer to date on the front page) and may differ due to modifications and/or amended Standards and Regulations of the System design, Installation and Commissioning. For further Informations refer to documentation M-168.1-SERIE-LT-EN.

Panels Display Controls, Buttons and Password			
STATUS ICON	CONDITION / CONTROL	COLOR	DESCRIPTION
	FIRE	Red (blinking)	A fire condition has been detected (buzzer active)
		Red (fixed)	The user has acknowledged the event by buzzer silence
	SYSTEM FAULT	Yellow (fixed)	System fault
	GENERAL FAULT	Yellow (blinking)	General fault, buzzer is active
		Yellow (fixed)	The user has acknowledged the event by buzzer silence
	DISABLE	Yellow (blinking)	A device or zone is disabled
	TEST	Yellow (blinking)	A zone is in test mode
	SOUNDER SILENCE	Yellow (blinking)	The internal buzzer is silenced
		Yellow (fixed)	The sounders are silenced
	POWER FAULT (from 100 ... 230 Vac or batteries)	Yellow (blinking)	Mains fault
		Yellow (fixed)	Batteries fault
	POWER	Green (fixed)	The system is switched on and the power is supplied via the mains
PUSH BUTTON	DESCRIPTION	FUNCTION	
	RESET PANEL	Pressing the 'Reset Panel' button will reset the panel to return it to normal condition after an event	
	MUTE	Pressing the 'Mute' button or tapping on the touch screen, will silence the active panel buzzer	
	SILENCE SOUNDERS	Pressing the 'Silence Sounders' button will silence all Alarm sounders	
	EVACUATE	Pressing the 'Evacuate' button and later confirm the evacuation in the pop-up window, will start all the panel sounders output activation and the output configured for evacuation in the Cause and Effect I/O Matrix	
FUNCTION	EN 54 LEVEL	FACTORY DEFAULT PASSWORD	
Alarm, disabled, and faults display	Level 1	None	
Alarm and faults recognition	Level 1	None	
Disabled Zone/Point display	Level 1	None	
Enable/Disable menu	Level 2	2222	
Test menu	Level 2	2222	
Utility menu	Level 2	2222	
Programming menu	Level 3	33333333	

Quick Programming Procedure with Default General Alarm Functionality

- On the touch screen display press the arrow on the right and then press the gear icon at the top right:
- Insert password level 2, press enter then press on program icon, insert password level 3 and press enter to confirm.
- Select Panel configuration to change the language using the arrow down icon. Once completed, press the left arrow to come back to the previous screen.
- Select Autoprogram, press the Lens icon to search for devices, at the end of the process save devices detected with check mark. Press the left arrow to come back to the previous screen.
- Select Description to change both Zone and Point labels. This example refers to Zones: Press Zone icon, type the label using the virtual keyboard and confirm with enter. Same applies to Points.
- Come back to Configuration menu using the left arrow and set Date and Time. The example shares how to change Date: select Date icon, scroll up and down the day, month and year values then confirm with check mark. To change Time, follow the same process.