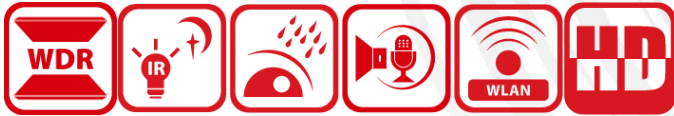


DS-2CV2126G0-IDW

2 MP EXIR Fixed Dome Network Camera



- High quality imaging with 2 MP resolution
- Realizing Wi-Fi connection and easy installation
- Provides real-time security via built-in two-way audio
- Efficient H.265 compression technology
- EXIR 2.0, advanced infrared technology with long IR distance
- Wi-Fi connection with Hik-Connect directly is not possible
- Water and dust resistant (IP66)
- Support micro SD/SDHC/SDXC card, up to 256 GB
- False alarm reduction through human and vehicle target classification based on deep learning



▪ Specification

| Camera | |
|-----------------------------|---|
| Image Sensor | 1/2.8" Progressive Scan CMOS |
| Min. Illumination | 0.005 Lux @ (F1.6, AGC ON) |
| Shutter Speed | 1/3 s to 1/100,000 s |
| P/N | P/N |
| Wide Dynamic Range | 120 dB |
| Day & Night | ICR Cut |
| Angle Adjustment | Pan: 0° to 355°, tilt: 0° to 75°, rotate: 0° to 355° |
| Lens | |
| Lens Type & FOV | 2.8 mm, horizontal FOV 107°, vertical FOV 57°, diagonal FOV 128° 4 mm, horizontal FOV 87°, vertical FOV 46°, diagonal FOV 104° |
| Aperture | F1.6 |
| Lens Mount | M12 |
| Illuminator | |
| Smart Supplement Light | Yes |
| IR Range | Up to 30 m |
| Wavelength | 850 nm |
| Video | |
| Max. Resolution | 1920 × 1080 |
| Main Stream | 50Hz: 25 fps (1920 × 1080, 1280 × 720) 60Hz: 30 fps(1920 × 1080, 1280 × 720) |
| Sub Stream | 50Hz: 25 fps (640 × 360) 60Hz: 30 fps (640 × 360) |
| Video Compression | Main Stream: H.265/H.264 Sub-Stream: H.265/H.264 |
| Video Bit Rate | 32 Kbps to 8 Mbps |
| H.264 Type | Baseline Profile/Main Profile/High Profile |
| H.265 Type | Main Profile |
| Bit Rate Control | CBR/VBR |
| Audio | |
| Environment Noise Filtering | Yes |
| Audio Sampling Rate | 8 kHz/16 kHz |
| Audio Compression | G.711ulaw/G.711alaw/G.722.1/G.726/MP2L2/PCM |
| Audio Bit Rate | 64Kbps(G.711 ulaw)/64Kbps(G.711 alaw)/16Kbps(G.722.1)/16 Kbps(G.726)/32 to 160 Kbps(MP2L2) |
| Network | |
| Simultaneous Live View | Up to 6 channels |
| API | ISAPI, SDK |
| Protocols | TCP/IP, ICMP, DHCP, DNS, DDNS, HTTP, HTTPS, RTP, RTSP, NTP, UPnP, IGMP, IPv6, UDP, QoS, Bonjour |
| User/Host | Up to 32 users 3 levels: Administrator, Operator and User |
| Security | Password protection, complicated password, HTTPS encryption, IP address filter, Security Audit Log, basic and digest authentication for HTTP/HTTPS, TLS 1.2 |

| | |
|--|---|
| Network Storage | MicroSD/SDHC/SDXC card (256 GB) local storage, and NAS (NFS, SMB/CIFS), auto network replenishment (ANR) |
| Client | Wired network: Hik-Connect, iVMS-4200 Wi-Fi: iVMS-4200 *Wi-Fi connection with Hik-Connect directly is not possible. |
| Web Browser | Plug-in required live view: IE 10, IE 11 Plug-in free live view: Chrome 57.0+, Firefox 52.0+ Local service: Chrome 57.0+, Firefox 52.0+ |
| Alarm Trigger | Motion detection, exception |
| Image | |
| Day/Night Switch | Day, Night, Auto, Schedule |
| Image Enhancement | BLC, HLC, 3D DNR |
| Image Settings | Mirror, saturation, brightness, contrast, sharpness, gain, white balance adjustable by client software or web browser |
| SNR | ≥ 52 dB |
| Interface | |
| On-board Storage | Built-in micro SD/SDHC/SDXC slot, up to 256 GB |
| Hardware Reset | Yes |
| Communication Interface | 1 RJ45 10M/100M self-adaptive Ethernet port |
| Smart Feature-Set | |
| Basic Event | Motion detection, audible alarm output, exception (network disconnected, IP address conflict, illegal login, HDD full, HDD error) |
| Intelligent (Deep Learning Algorithm) | |
| Premier Protection | Line crossing detection, intrusion detection, region entrance detection, region exiting detection |
| General | |
| Linkage Method | Upload to memory card/NAS, notify surveillance center, trigger record, trigger capture, audible warning |
| Firmware Version | V5.5.136 |
| Web Client Language | English |
| General Function | Anti-flicker, heartbeat, password reset via e-mail, pixel counter |
| Software Reset | Reset via web browser and client software |
| Storage Conditions | -30 °C to 60 °C (-22 °F to 140 °F). Humidity 95% or less (non-condensing) |
| Startup and Operating Conditions | -30 °C to 60 °C (-22 °F to 140 °F). Humidity 95% or less (non-condensing) |
| Power Supply | 12 VDC ± 25% |
| Power Consumption and Current | 12 VDC, 0.6 A, max. 7 W |
| Power Interface | Ø5.5 mm coaxial power plug |
| Camera Material | Polycarbonate cover, polycarbonate body |
| Camera Dimension | Ø126.0 × 96.1 mm (Ø5.0" × 3.8") |
| Package Dimension | 170 × 170 × 150 mm (7.0" × 7.0" × 5.9") |
| Camera Weight | Approx. 590 g (1.3 lb.) |
| With Package Weight | Approx. 989 g (2.2 lb.) |

| Approval | |
|-------------------|---|
| EMC | FCC SDoC (47 CFR Part 15, Subpart B); CE-EMC (EN 55032: 2015, EN 61000-3-2: 2014, EN 61000-3-3: 2013, EN 50130-4: 2011 +A1: 2014); RCM (AS/NZS CISPR 32: 2015); IC VoC (ICES-003: Issue 6, 2016); KC (KN 32: 2015, KN 35: 2015) |
| RF | FCC ID (FCC Part 15.247(BT or 2.4G)); IC ID (RSS-247(BT or 2.4G)); CE-RED (EN 301489-1 V2.1.1(BT or 2.4G); EN 301489-17 V3.1.1(BT or 2.4G); EN 300328 V2.1.1(BT or 2.4G); EN 62311:2008(BT or 2.4G)); WPC (EN 301 489-1 V2.1.1(BT or 2.4G); EN 301 489-17 V3.1.1(BT or 2.4G); EN 300 328 V2.1.1(BT or 2.4G); EN 62311:2008(BT or 2.4G); EN 55032:2015; EN 61000-3-2:2014; EN 61000-3-3:2013; EN 50130-4:2011 +A1:2014); KC (KN 32:2015; KN 35: 2015; KN 301489-1; KN 301489-17); ICASA (EN 301 489-1 V2.1.1(BT or 2.4G); EN 301 489-17 V3.1.1(BT or 2.4G); EN 300 328 V2.1.1(BT or 2.4G); EN 62311:2008(BT or 2.4G); EN 55032:2015; EN 61000-3-2:2014; EN 61000-3-3:2013; EN 50130-4:2011 +A1:2014; EN 60950-1:2005 + Am 1:2009 + Am 2:2013) |
| Safety | UL (UL 60950-1); CB (IEC 60950-1:2005 + Am 1:2009 + Am 2:2013, IEC 62368-1:2014); CE-LVD (EN 60950-1:2005 + Am 1:2009 + Am 2:2013, IEC 62368-1:2014); BIS (IS 13252(Part 1):2010+A1:2013+A2:2015); LOA (IEC/EN 60950-1) |
| Environment | CE-RoHS (2011/65/EU) WEEE (2012/19/EU) Reach Regulation (EC) No 1907/2006 |
| Protection | IP66 (IEC 60529-2013) |
| Wi-Fi | |
| Encryption Mode | 64/128-bit WEP, WPA-EAP/WPA2-EAP, WPA-PSK/WPA2-PSK |
| Wi-Fi Protocol | 802.11b: CCK, QPSK, BPSK 802.11g/n: OFDM |
| Frequency Range | 2.412 GHz - 2.472 GHz |
| Channel Bandwidth | 20/40 MHz |
| Modulation | 802.11b: CCK, QPSK, BPSK 802.11g/n: OFDM |
| Wireless Range | Up to 120 m (The performance varies based on actual environment) |
| Transfer Rate | 300 Mbps |

▪ Available Model

DS-2CV2126G0-IDW (2.8/4 mm)

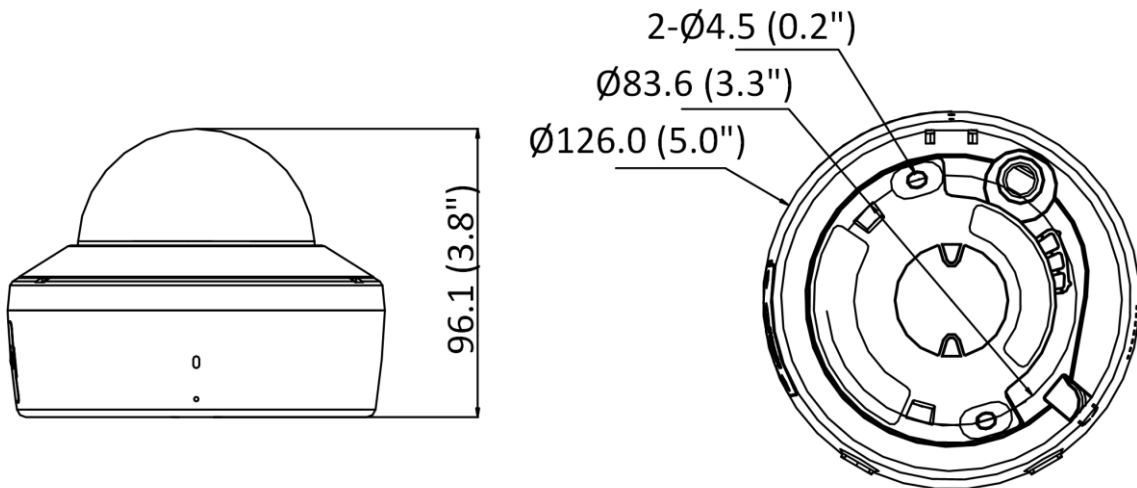
▪ Typical Application

Hikvision products are classified into three levels according to their anti-corrosion performance. Refer to the following description to choose for your using environment.

This model has NO SPECIFIC PROTECTION.

| Level | Description |
|------------------------|--|
| Top-level protection | Hikvision products at this level are equipped for use in areas where professional anti-corrosion protection is a must. Typical application scenarios include coastlines, docks, chemical plants, and more. |
| Moderate protection | Hikvision products at this level are equipped for use in areas with moderate anti-corrosion demands. Typical application scenarios include coastal areas about 2 kilometers (1.24 miles) away from coastlines, as well as areas affected by acid rain. |
| No specific protection | Hikvision products at this level are equipped for use in areas where no specific anti-corrosion protection is needed. |

▪ **Dimension**

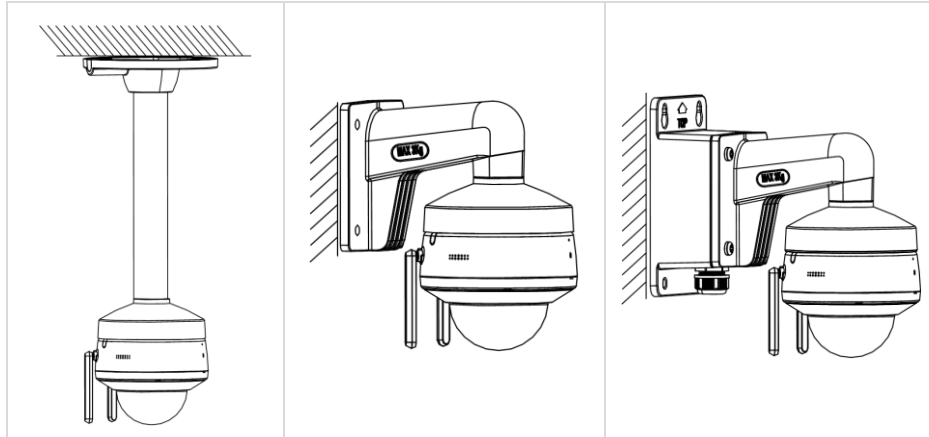


Unit: mm (inch)

▪ **Accessory**

▪ **Optional**

| DS-1271ZJ-120 | DS-1272ZJ-120B | DS-1272ZJ-120 |
|---|---|---|
| Pendant Mount | Wall Mount | Wall Mount |
|  |  |  |



Distributed by



HIKVISION®

Headquarters

No.555 Qianmo Road, Binjiang District,
Hangzhou 310051, China
T +86-571-8807-5998
overseasbusiness@hikvision.com

Hikvision USA
T +1-909-895-0400
sales.usa@hikvision.com

Hikvision Australia
T +61-2-8599-4233
salesau@hikvision.com

Hikvision India
T +91-22-28469900
sales@pramahikvision.com

Hikvision Canada
T +1-866-200-6690
sales.canada@hikvision.com

Hikvision Thailand
T +662-275-9949
sales.thailand@hikvision.com

Hikvision Europe
T +31-23-5542770
sales.eu@hikvision.com

Hikvision Italy
T +39-0438-6902
info.it@hikvision.com

Hikvision Brazil
T +55 11 3318-0050
Latam.support@hikvision.com

Hikvision Turkey
T +90 (216)521 7070- 7074
sales.tr@hikvision.com

Hikvision Malaysia
T +601-7652-2413
sales.my@hikvision.com

Hikvision UK & Ireland
T +01628-902140
sales.uk@hikvision.com

Hikvision South Africa
Tel: +27 (10) 0351172
sale.africa@hikvision.com

Hikvision France
T +33(0)1-85-330-450
info.fr@hikvision.com

Hikvision Kazakhstan
T +7-727-9730667
nikia.panfilov@hikvision.ru

Hikvision Vietnam
T +84-974270888
sales.vt@hikvision.com

Hikvision UAE
T +971-4-4432090
salesme@hikvision.com

Hikvision Singapore
T +65-6684-4718
sg@hikvision.com

Hikvision Spain
T +34-91-737-16-55
info.es@hikvision.com

Hikvision Tashkent
T +99-87-1238-9438
uzb@hikvision.ru

Hikvision Hong Kong
T +852-2151-1761
info.hk@hikvision.com

Hikvision Russia
T +7-495-669-67-99
saleru@hikvision.com

Hikvision Korea
T +82-(0)31-731-8817
sales.korea@hikvision.com

Hikvision Poland
T +48-22-460-01-50
info.pl@hikvision.com

Hikvision Indonesia
T +62-21-2933759
Sales.Indonesia@hikvision.com

Hikvision Colombia
sales.colombia@hikvision.com

050513620220516