

DS-UL2 1080P Live Camera



- High quality imaging with 1920 × 1080 resolution
- Built-in supplement light for bright imaging
- Low distortion lens for reducing image distortion
- Built-in microphone with clear sound
- Type-C interface, supporting USB 2.0 protocols
- Plug-and-play, no need to install driver software
- Support auto focus

▪ Specification

Camera	
Image Sensor	2 MP CMOS
Signal System	PAL/NTSC
Frame Rate	MJPG: 1920 × 1080 @60fps/50fps/30fps/25fps 1280 × 960 @60fps/50fps/30fps/25fps 1280 × 720 @60fps/50fps/30fps/25fps 640 × 480 @60fps/50fps/30fps/25fps 640 × 360 @60fps/50fps/30fps/25fps YUV2: 1920 × 1080 @5fps 1280 × 960 @5fps 1280 × 720 @10fps 640 × 480 @30fps 640 × 360 @30fps
Resolution	1920 (H) × 1080 (V)
Min. Illumination	0.1 Lux @ (F1.2, AGC ON)
Shutter Time	PAL: 1/25 s to 1/50,000 s; NTSC: 1/30 s to 1/50,000 s
Lens	3.6 mm fixed focal lens
Field of View	horizontal FOV: 87°, vertical FOV: 55°, diagonal FOV: 95°
Lens Mount	M8
Day & Night	24/7 Color Imaging
Angle Adjustment	pan: 0°; tilt: 0° to 90°; rotation: 0°
Digital Zoom	Yes
Cable Length	2 m
Lens	
Depth of Field	5 cm to ∞
Audio	
Audio Sampling Rate	16 kHz
Interface	
Video Output	USB 2.0
Audio In	Built-in mic
Operating System	Recommended systems Windows 7/8/10/11 Android 8.1 and above version Linux 4.14 and above version macOS 10.12 and above version Chrome OS
General	
Operating Conditions	-10°C to 40°C, Humidity: 90% or less (non-condensing)
Power Supply	DC 5V ± 5% (USB)
Consumption	2.5 W MAX
Material	Plastic

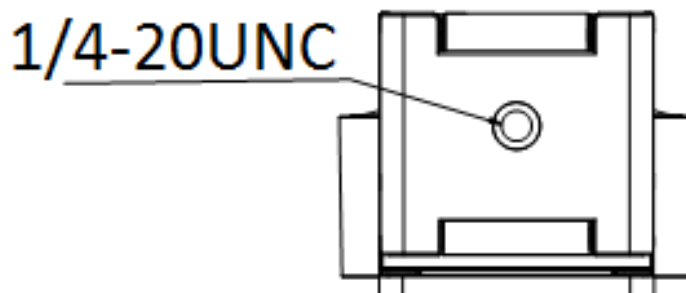
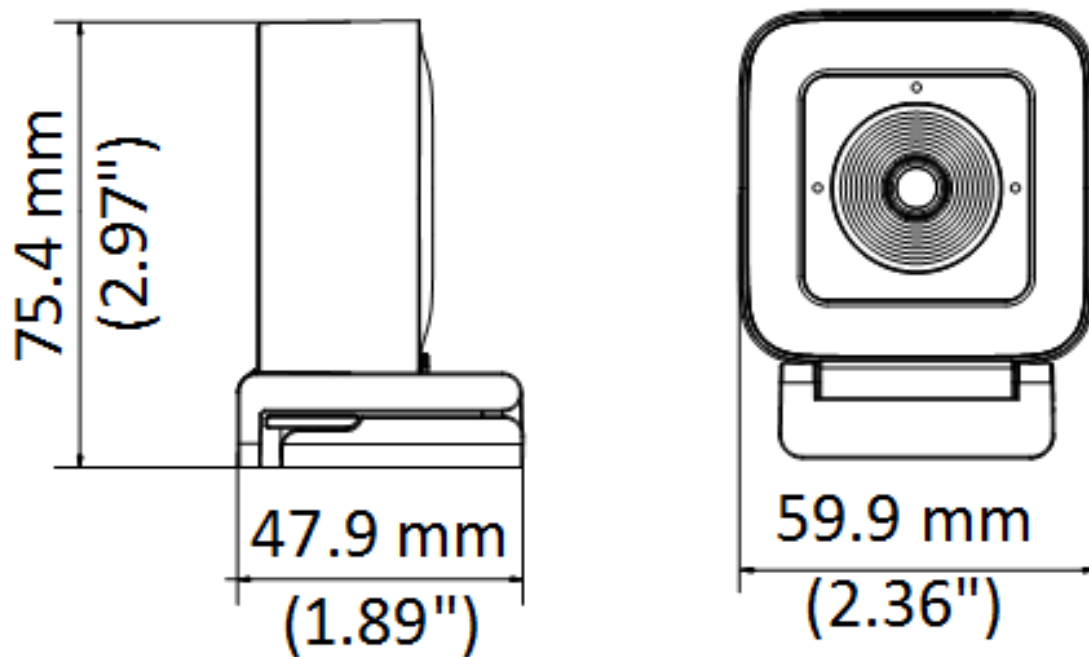
Dimension	47.9 mm × 59.9 mm × 75.4 mm (1.89" × 2.36" × 2.97")
Weight	Approx. 169.5g (0.37 lb.)
Accessory	
Packing List	Camera × 1 USB Cable × 1 Quick Start Guide × 1 Bracket × 1 Tripod × 1

▪ **Available Model**

DS-UL2

DS-UL2(JAPAN)

▪ **Dimension**



Headquarters

No.555 Qianmo Road, Binjiang District,
Hangzhou 310051, China
T +86-571-8807-5998
www.hikvision.com



Follow us on social media to get the latest product and solution information.

