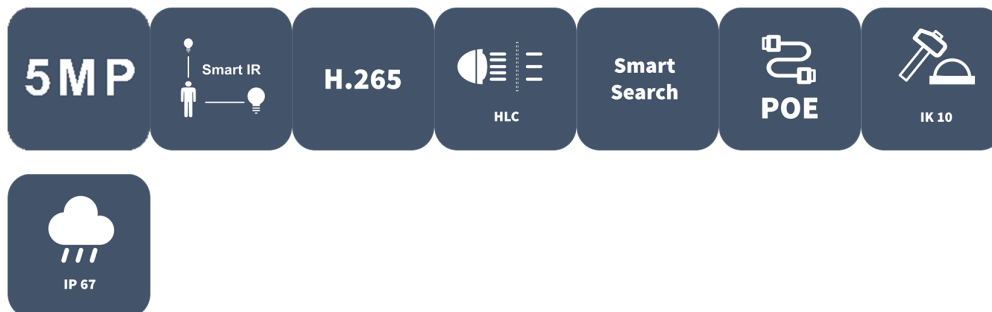


# 5MP Fixed IR Dome Network Camera

IPC325LB-SF28(40)-A



## Features

- High quality image with 5MP, 1/3"CMOS sensor
- 5MP (2592\*1944)@20fps; 4MP (2560\*1440)@20fps; 3MP (2304\*1296)@20fps; 2MP (1920\*1080)@30/25fps
- Ultra 265, H.265, H.264, MJPEG
- Smart IR, up to 30m (98ft) IR distance
- Day/night functionality
- 2D/3D DNR (Digital Noise Reduction)
- IP67 protection
- IK10 vandal resistant
- DC12V or PoE(IEEE 802.3af) power supply

- 2-Axis

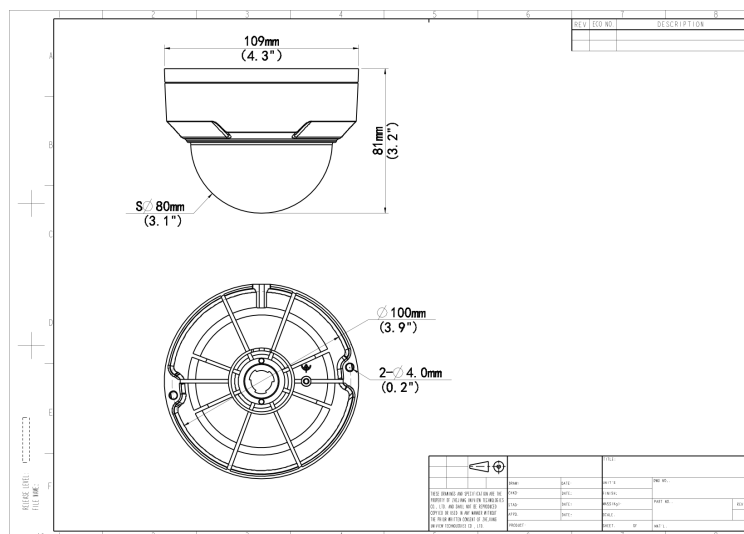
## Specifications

| Camera                    | Description  |
|---------------------------|--|
| Sensor                    | 1/3", 5.0 megapixel, progressive scan, CMOS                      |
| Min. Illumination         | Colour: 0.01 lux (F2.1, AGC ON)<br>0 lux with IR on              |
| Day/Night                 | IR-cut filter with auto switch (ICR)                             |
| Shutter                   | Auto/Manual, 1 ~ 1/100000s                                       |
| Adjustment angle          | Pan: 3° ~ 360°, Tilt: 0° ~ 68°                                   |
| S/N                       | >52dB  |
| WDR                       | DWDR   |
| Lens                      | Description  |
| Lens type                 | IPC325LB-SF28-A:2.8mm@F2.1<br>IPC325LB-SF40-A:4.0mm@F2.1         |
| Iris                      | Fixed  |
| Field of View (H)         | IPC325LB-SF28-A:97.0°<br>IPC325LB-SF40-A:79.0°                   |
| Field of View (V)         | IPC325LB-SF28-A:52.2°<br>IPC325LB-SF40-A:42.3°                   |
| Field of View (D)         | IPC325LB-SF28-A:107.5°<br>IPC325LB-SF40-A:85.1°                  |
| DORI                      | Description  |
| DORI Distance (Lens)      | IPC325LB-SF28-A:2.8mm<br>IPC325LB-SF40-A:4.0mm                   |
| DORI Distance (Detect)    | IPC325LB-SF28-A:63.0m(206.7ft)<br>IPC325LB-SF40-A:90.0m(295.3ft) |
| DORI Distance (Observe)   | IPC325LB-SF28-A:25.2m(82.7ft)<br>IPC325LB-SF40-A:36.0m(118.1ft)  |
| DORI Distance (Recognize) | IPC325LB-SF28-A:12.6m(41.3ft)<br>IPC325LB-SF40-A:18.0m(59.1ft)   |
| DORI Distance (Identify)  | IPC325LB-SF28-A:6.3m(20.7ft)<br>IPC325LB-SF40-A:9.0m(29.5ft)     |
| Illuminator               | Description  |
| IR Range                  | Up to 30m (98ft)   |
| Wavelength                | 850nm  |
| IR On/Off Control         | Auto/Manual  |
| Video                     | Description  |
| Video Compression         | Ultra 265; H.265; H.264; MJPEG                                   |
| H.264 code profile        | Baseline profile, Main profile, High profile                     |

|                         |   |
|-------------------------|---|
| Frame Rate              | Main Stream: 5MP (2592*1944) , Max 20fps; 4MP (2560*1440), Max 20fps; 3MP(2304*1296), Max 20fps;2MP(1920*1080),Max 30fps<br>Sub Stream: D1 (720*576), Max 30fps; 640*360,Max 30fps; 2CIF(704*288), Max 30fps; CIF(352*288), Max 30fps |
| Video Bit Rate          | 128 Kbps~6144 Kbps  |
| U-code                  | Support   |
| OSD                     | Up to 4 OSDs  |
| Privacy Mask            | Up to 4 areas   |
| ROI                     | Up to 8 areas   |
| Video stream            | Dual streams  |
| <b>Image</b>            | <b>Description</b>  |
| White Balance           | Auto/Outdoor/Fine Tune/Sodium Lamp/Locked/Auto2   |
| Digital noise reduction | 2D/3D DNR   |
| Smart IR                | Support   |
| Flip                    | Normal/Vertical/Horizontal/180°   |
| Dewarping               | N/A   |
| HLC                     | Support   |
| BLC                     | Support   |
| Defog                   | Digital Defog   |
| <b>Events</b>           | <b>Description</b>  |
| Basic Detection         | Motion detection  |
| General Function        | Watermark;IP Address Filtering;Access Policy;ARP Protection;RTSP Authentication;User Authentication;HTTP authentication   |
| <b>Network</b>          | <b>Description</b>  |
| Protocols               | IPv4;IGMP;ICMP;ARP;TCP;UDP;DHCP;RTP;RTSP;RTCP;RTMP;DNS;DDNS;NTP;UPnP;HTTP;HTTPS;SMTP;QoS;SSL/TLS  |
| Compatible Integration  | ONVIF (Profile S, Profile T);API;SDK  |
| User/Host               | Up to 32 users, 2 user levels: administrator and common user  |
| Security                | Password protection;Strong password;HTTPS encryption;Export operation logs;Basic and digest authentication for RTSP;Digest authentication for HTTP;WSSE and digest authentication for ONVIF   |
| Client                  | EZStation;EZView; EZLive  |
| Web Browser             | Plug-in required live view: IE 10 and above,Chrome 45 and above,Firefox 52 and above,Edge 79 and above;Plug-in free live view: Chrome 57.0 and above,Firefox 58.0 and above,Edge 16 and above   |
| <b>Interface</b>        | <b>Description</b>  |
| Audio I/O               | N/A   |
| Alarm I/O               | N/A   |
| Serial Port             | N/A   |
| Built-in Mic            | N/A   |
| Built-in Speaker        | N/A   |
| WIFI                    | N/A   |

|                     |   |
|---------------------|---|
| Network             | 1 * RJ45 10M/100M Base-TX Ethernet  |
| Video Output        | N/A   |
| Certification       | Description   |
| EMC                 | CE-EMC (EN 55032, EN 61000-3-3, EN IEC 61000-3-2, EN 55035)<br>FCC (FCC 47 CFR part 15 B) |
| Safety              | CE LVD (EN 62368-1)<br>CB (IEC 62368-1)<br>UL/CUL (UL 62368-1, CAN/CSA C22.2 No. 62368-1) |
| Environment         | CE-RoHS (2011/65/EU; (EU)2015/863); WEEE (2012/19/EU);                                    |
| Protection          | IP67 (IEC 60529)<br>IK10 (IEC 62262)  |
| General             | Description   |
| Power               | DC 12V ± 25%, PoE (IEEE 802.3af)<br>Power consumption: Max 5.0W                           |
| Power Interface     | Ø 5.5mm coaxial power plug  |
| Dimensions (Ø x H)  | Φ 109 x 81mm (Ø4.3" x 3.2")   |
| Weight              | 0.32kg(0.71lb)  |
| Material            | Metal + Plastic   |
| Working Environment | -30° C ~ 60° C (-22° F ~ 140° F), Humidity: ≤95% RH (non-condensing)                      |
| Storage Environment | -30° C ~ 60° C (-22° F ~ 140° F), Humidity: ≤95% RH (non-condensing)                      |
| Surge protection    | 4KV   |
| Reset button        | N/A   |
| Web Client Language | 1 Language<br>English   |

## Dimensions



**Zhejiang Uniview Technologies Co., Ltd.**

No. 369, Xietong Road, Xixing Sub-district, Binjiang District, Hangzhou City, 310051, Zhejiang Province, China

Email: [overseasbusiness@uniview.com](mailto:overseasbusiness@uniview.com); [globalsupport@uniview.com](mailto:globalsupport@uniview.com)

<http://www.uniview.com>

©2023 Zhejiang Uniview Technologies Co., Ltd. All rights reserved.

\*Product specifications and availability are subject to change without notice.