

# 4K HD IR Fixed Eyeball Network Camera

IPC3618LE-ADF28(40)K-G



## Features

- High quality image with 8MP, 1/2.7"CMOS sensor
- 8MP (3840\*2160)@20fps; 5MP (3072\*1728)@30/25fps; 4MP (2560\*1440)@30/25fps; 2MP (1920\*1080) @30/25fps
- Ultra 265, H.265, H.264, MJPEG
- EasyStar technology ensures high image quality in low illumination environment
- 120dB true WDR technology enables clear image in strong light scene
- Support 9:16 Corridor Mode
- Built-in Mic
- Smart IR, up to 30m (98ft) IR distance
- Supports 256 G Micro SD card
- IP67 protection

- Support PoE power supply
- 3-Axis

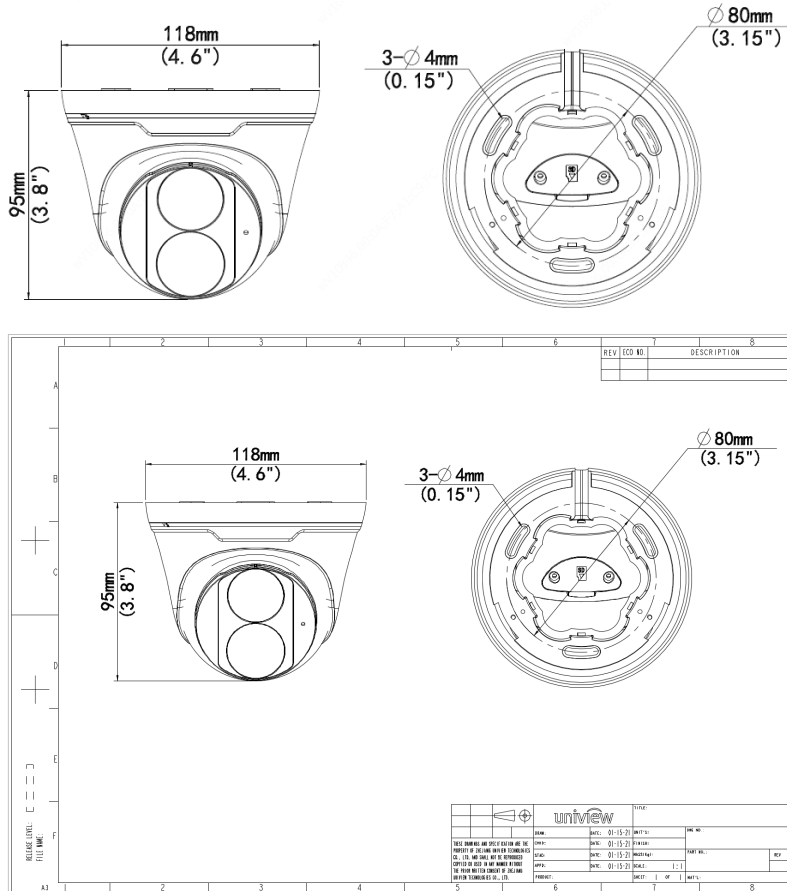
## Specifications

| Camera                      | Description   |
|-----------------------------|---|
| Sensor                      | 1/2.7", 8.0 megapixel, progressive scan, CMOS                           |
| Min. Illumination           | Support EasyStar: Colour: 0.005 lux ( F1.6, AGC ON)<br>0 Lux with IR on |
| Day/Night                   | IR-cut filter with auto switch (ICR)                                    |
| Shutter                     | Auto/Manual, 1 ~ 1/100000s  |
| Adjustment angle            | Pan: 0° ~ 360° , Tilt: 0° ~ 80° , Rotate: 0° ~ 360°                     |
| S/N                         | >52dB   |
| WDR                         | 120dB   |
| Lens                        | Description   |
| Lens type                   | IPC3618LE-ADF28K-G:2.8mm@F1.6<br>IPC3618LE-ADF40K-G:4.0mm@F1.6          |
| Iris                        | Fixed   |
| Field of View (H)           | IPC3618LE-ADF28K-G:112.9°<br>IPC3618LE-ADF40K-G:91.2°                   |
| Field of View (V)           | IPC3618LE-ADF28K-G:59.1°<br>IPC3618LE-ADF40K-G:47.9°                    |
| Field of View (D)           | IPC3618LE-ADF28K-G:121.2°<br>IPC3618LE-ADF40K-G:95.9°                   |
| DORI                        | Description   |
| DORI Distance ( Lens )      | IPC3618LE-ADF28K-G:2.8mm<br>IPC3618LE-ADF40K-G:4.0mm                    |
| DORI Distance ( Detect )    | IPC3618LE-ADF28K-G:84.0m(275.6ft)<br>IPC3618LE-ADF40K-G:120.0m(393.7ft) |
| DORI Distance ( Observe )   | IPC3618LE-ADF28K-G:33.6m(110.2ft)<br>IPC3618LE-ADF40K-G:48.0m(157.5ft)  |
| DORI Distance ( Recognize ) | IPC3618LE-ADF28K-G:16.8m(55.1ft)<br>IPC3618LE-ADF40K-G:24.0m(78.7ft)    |
| DORI Distance ( Identify )  | IPC3618LE-ADF28K-G:8.4m(27.6ft)<br>IPC3618LE-ADF40K-G:12.0m(39.3ft)     |
| Illuminator                 | Description   |
| IR Range                    | Up to 30m (98ft)  |
| Wavelength                  | 850nm   |
| IR On/Off Control           | Auto/Manual   |
| Video                       | Description   |
| Video Compression           | Ultra 265, H.265, H.264, MJPEG  |

|                         |   |
|-------------------------|---|
| H.264 code profile      | Baseline profile, Main profile, High profile  |
| Frame Rate              | Main Stream: 8MP (3840*2160), Max 20fps; 5MP (3072*1728), Max 30fps; 4MP (2560*1440), Max 30fps; 1080P (1920*1080), Max 30fps;<br>Sub Stream: 1080P (1920*1080), Max 30fps; 720P (1280*720), Max 30fps; D1 (720*576), Max 30fps; 640*360, Max 30fps; 2CIF(704*288), Max 30fps; CIF(352*288), Max 30fps; |
| Video Bit Rate          | 128 Kbps~16 Mbps  |
| U-code                  | Support   |
| OSD                     | Up to 4 OSDs  |
| Privacy Mask            | Up to 4 areas   |
| ROI                     | Up to 8 areas   |
| Video stream            | Dual streams  |
| <b>Image</b>            | <b>Description</b>  |
| White Balance           | Auto/Outdoor/Fine Tune/Sodium Lamp/Locked/Auto2   |
| Digital noise reduction | 2D/3D DNR   |
| Smart IR                | Support   |
| Flip                    | Normal/Flip Vertical/Flip Horizontal/180° /90° Clockwise/90° Anti-clockwise   |
| Dewarping               | N/A   |
| HLC                     | Support   |
| BLC                     | Support   |
| Defog                   | Digital Defog   |
| <b>Events</b>           | <b>Description</b>  |
| Basic Detection         | Cross line&intrusion(based on human body detection)&Motion detection&Ultra motion detection&Tampering alarm&Audio detection   |
| General Function        | Watermark&IP Address Filtering&Access Policy&ARP Protection&RTSP Authentication&User Authentication&HTTP Authentication   |
| <b>Audio</b>            | <b>Description</b>  |
| Audio Compression       | G.711U&G.711A   |
| Audio Bitrate           | 64 Kbps   |
| Two-way Audio           | N/A   |
| Suppression             | Support   |
| Sampling Rate           | 8KHZ  |
| <b>Storage</b>          | <b>Description</b>  |
| Edge Storage            | Micro SD, up to 256 GB  |
| Network Storage         | ANR,NAS(NFS)  |
| <b>Network</b>          | <b>Description</b>  |
| Protocols               | IPv4&IPv6&IGMP&ICMP&ARP&TCP&UDP&DHCP&RTP&RTSP&RTCP&RTMP&DNS&DNS&NTP&FTP&UPnP&HTTP&HTTPS&SMTP&SSL/TLS&802.1x&SNMP&PPPoE  |
| Compatible Integration  | ONVIF (Profile S, Profile G, Profile T)&API&SDK   |
| User/Host               | Up to 32 users. 3 user levels: administrator, common user and operator  |
| Security                | Password protection&Strong password&HTTPS encryption&Export operation logs&Basic and digest authentication for RTSP&Digest authentication for HTTP&TLS 1.2&WSSE and digest authentication for ONVIF   |

|                      |   |
|----------------------|---|
| Client               | EZStation,EZView, EZLive  |
| Web Browser          | Plug-in required live view: IE 10 and above,Chrome 45 and above,Firefox 52 and above,Edge 79 and above&Plug-in free live view: Chrome 57.0 and above,Firefox 58.0 and above,Edge 16 and above |
| <b>Interface</b>     | <b>Description</b>  |
| Audio I/O            | N/A   |
| Alarm I/O            | N/A   |
| Serial Port          | N/A   |
| Built-in Mic         | Support   |
| Built-in Speaker     | N/A   |
| WIFI                 | N/A   |
| Network              | 1 * RJ45 10M/100M Base-TX Ethernet  |
| Video Output         | N/A   |
| <b>Certification</b> | <b>Description</b>  |
| EMC                  | CE-EMC (EN 55032,EN 61000-3-3,EN IEC 61000-3-2,EN 55035)<br>FCC (FCC 47 CFR part15 B)   |
| Safety               | CE LVD (EN 62368-1)<br>CB (IEC 62368-1)<br>UL/CUL (UL 62368-1, CAN/CSA C22.2 No. 62368-1)   |
| Environment          | CE-RoHS (2011/65/EU;(EU)2015/863); WEEE (2012/19/EU);   |
| Protection           | IP67 (IEC 60529)  |
| <b>General</b>       | <b>Description</b>  |
| Power                | DC 12V ±25%, PoE (IEEE 802.3af)<br>Power consumption: Max 4.5W  |
| Power Interface      | Ø 5.5mm coaxial power plug  |
| Dimensions (Ø x H)   | Φ 118 x 95mm (Φ4.6" x 3.8" )  |
| Weight               | 0.36kg (0.79lb)   |
| Material             | Metal + plastic   |
| Working Environment  | -30° C ~ 60° C (-22° F ~ 140° F), Humidity: ≤95% RH (non-condensing)  |
| Storage Environment  | -30° C ~ 60° C (-22° F ~ 140° F), Humidity: ≤95% RH (non-condensing)  |
| Surge protection     | 4KV   |
| Reset button         | N/A   |
| Web Client Language  | 13 Languages<br>English, Simplified Chinese, Polish, German, Russian, French, Korean, Dutch, Czech, Portuguese, Spanish, Spanish (Europe), Italian  |

## Dimensions



**Zhejiang Uniview Technologies Co., Ltd.**

No. 369, Xietong Road, Xixing Sub-district, Binjiang District, Hangzhou City, 310051, Zhejiang Province, China

Email: [overseasbusiness@uniview.com](mailto:overseasbusiness@uniview.com); [globalsupport@uniview.com](mailto:globalsupport@uniview.com)

<http://www.uniview.com>

©2023 Zhejiang Uniview Technologies Co., Ltd. All rights reserved.

\*Product specifications and availability are subject to change without notice.