

2M IR Network Mini PTZ Dome Camera

IPC6412LR3-X5P



Key Features

Optics

- Day/night functionality
- Smart IR , up to 30 m (98 ft) IR distance
- Optical glass window with higher light transmittance
- IR anti-reflection window to increase the infrared transmittance
- 2D/3D DNR (Digital Noise Reduction)

Compression

- Ultra 265,H.265, H.264, MJPEG
- Triple streams
- ROI (Region of Interest)

Network

- ONVIF Conformance

Structure

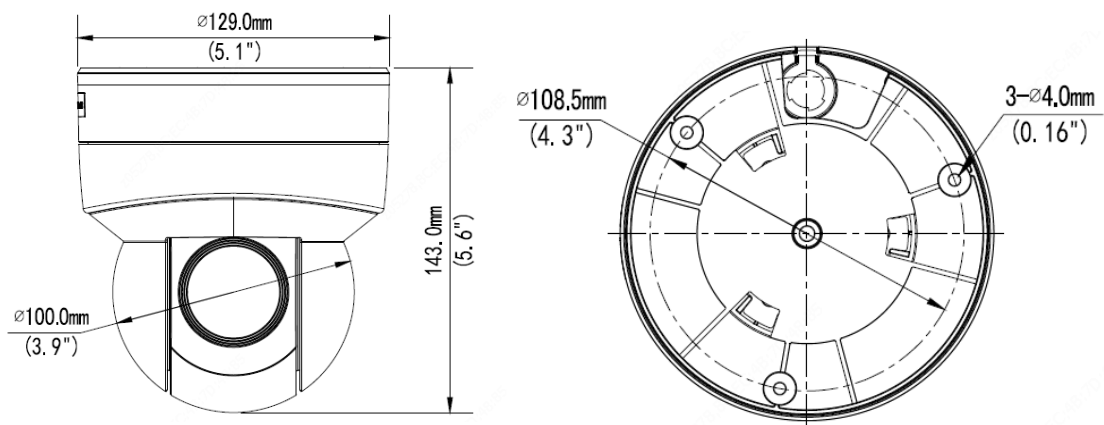
- Support PoE power supply
- Built-in PoE splitter that outputs DC 12
- Wide temperature range: -10°C to 50°C (14°F to 122°F)
- Wide voltage range of ±25%

Specifications

IPC6412LR3-X5P																
Camera																
Sensor	1/2.9" progressive scan, 2.0 megapixel, CMOS															
Lens	2.7~13.5mm, AF automatic focusing and motorized zoom lens															
DORI Distance	<table border="1"> <thead> <tr> <th>Lens</th> <th>Detect(m)</th> <th>Observe(m)</th> <th>Recognize(m)</th> <th>Identify(m)</th> </tr> </thead> <tbody> <tr> <td>2.7mm</td> <td>40.5</td> <td>16.2</td> <td>8.1</td> <td>4.1</td> </tr> <tr> <td>13.5mm</td> <td>202.5</td> <td>81.0</td> <td>40.5</td> <td>20.3</td> </tr> </tbody> </table>	Lens	Detect(m)	Observe(m)	Recognize(m)	Identify(m)	2.7mm	40.5	16.2	8.1	4.1	13.5mm	202.5	81.0	40.5	20.3
	Lens	Detect(m)	Observe(m)	Recognize(m)	Identify(m)											
	2.7mm	40.5	16.2	8.1	4.1											
13.5mm	202.5	81.0	40.5	20.3												
Angle of View (H)	112.7°~28.1°															
Angle of View (V)	60.1°~15.4°															
Angle of View (O)	146.5°~33.2°															
Adjustment angle	<table border="1"> <tr> <td>Pan: 0°~350°</td> <td>Tilt: 0°~90°</td> <td>Rotate: 0°~355°</td> </tr> </table>	Pan: 0°~350°	Tilt: 0°~90°	Rotate: 0°~355°												
Pan: 0°~350°	Tilt: 0°~90°	Rotate: 0°~355°														
Shutter	Auto/Manual, shutter time: 1 s ~ 1/100000 s															
Minimum Illumination	Colour: 0.03 lux (F1.2,AGC ON) 0 lux with IR															
Iris	F1.2															
Day/Night	IR-cut filter with auto switch (ICR)															
Digital noise reduction	2D/3D DNR															
S/N	>55 dB															
IR Range	UP to 30m (98ft)															
WDR	DWDR															
Video																
Video Compression	Ultra 265,H.265, H.264, MJPEG															
H.264 code profile	Baseline profile, Main Profile															
Frame Rate	Main Stream:1080P (1920×1080):Max. 30 fps; Sub Stream:720P (1920×1080):Max. 25 fps; Third Stream: CIF (352×288): Max. 25 fps															
HLC	Supported															
BLC	Supported															
OSD	Up to 4 OSDs															

Privacy Mask	Up to 8 areas
ROI	Up to 2 areas
Motion Detection	Up to 4 areas
Storage	
Edge Storage	Micro SD, up to 256 GB
Network Storage	ANR
Network	
Protocols	IPv4, IGMP, ICMP, ARP, TCP, UDP, DHCP, RTP, RTSP, RTCP, DNS, DDNS, NTP, FTP, UPnP, HTTP, HTTPS, SMTP, SSL
Compatible Integration	ONVIF(Profile S, Profile G), API
Pan & Tilt	
Pan Range	350°
Pan Speed	0.1°/s ~ 60°/s
	Preset speed: 60°/s
Tilt Range	0° ~ 90° (auto reverse)
Tilt Speed	0.1° ~ 50°/s
	Preset speed: 50°/s
Number of Presets	1024
Patrol	Preset patrol, route patrol, recorded patrol
Home Position	Supported
Interface	
Network	1 RJ45 10M/100M Base-TX Ethernet
Built-in Mic	Supported
General	
Power	DC 12V±25%, PoE (IEEE802.3 af)
	Power consumption: Max 12W
Dimensions (Ø x H)	Ø129mm×143mm(Ø5.07" x5.63")
Weight	3kg(6.6lb)
Working Environment	-10°C ~ +50°C (14°F ~ 122°F), Humidity:10%~90% RH(non-condensing)
Reset Button	Supported

Dimensions



South Tower, Building 10, Wanlun Science Park, 88 Jiangling Road, Hangzhou, P.R.China 310051

Email: overseasbusiness@uniview.com; globalsupport@uniview.com

<http://www.uniview.com>

©2018 Zhejiang Uniview Technologies Co., Ltd. All rights reserved.

*Product specifications and availability are subject to change without notice.