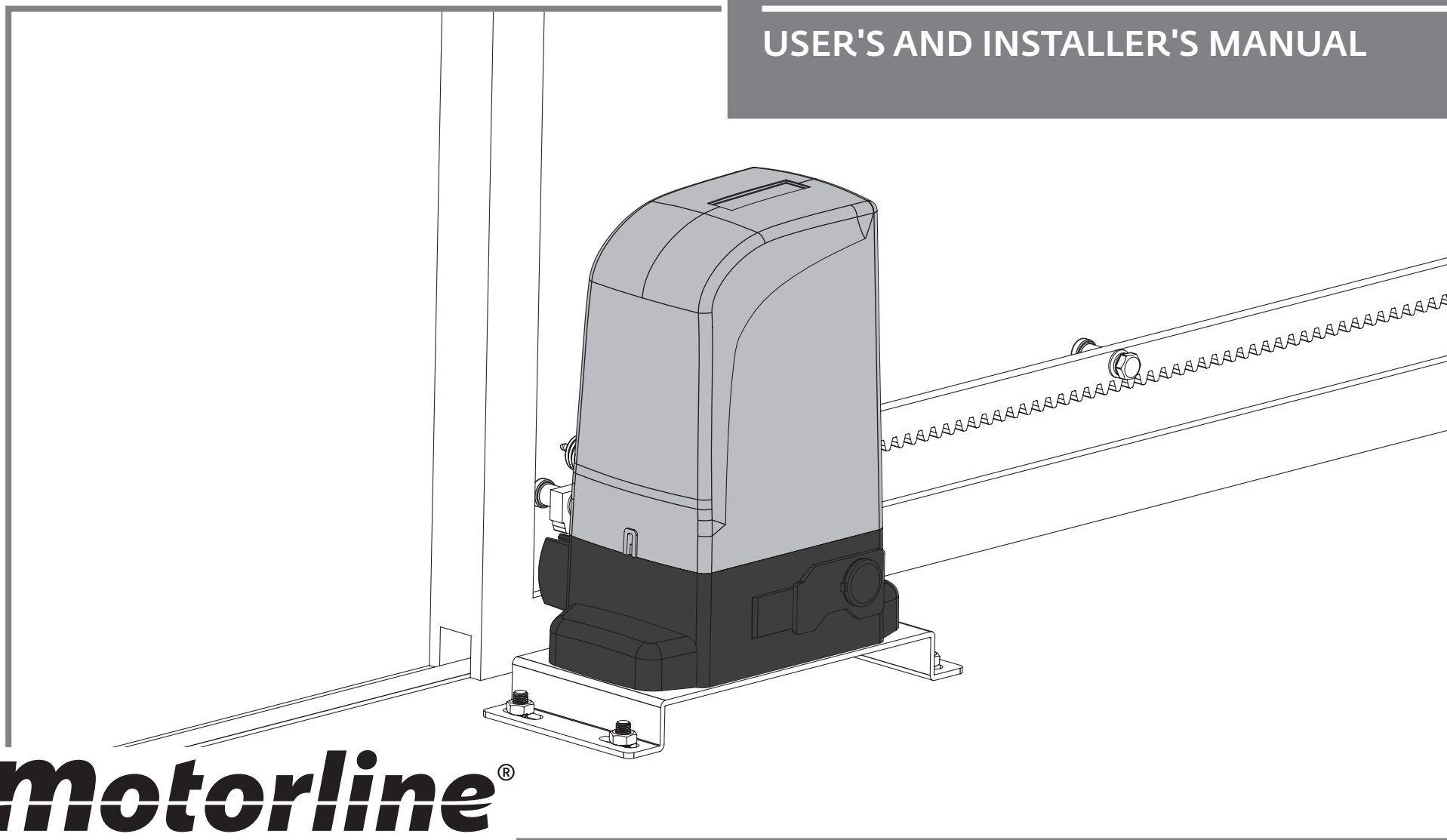




BRAVO500

USER'S AND INSTALLER'S MANUAL



motorline[®]
PROFESSIONAL

00. CONTENT

INDEX

01. SAFETY INSTRUCTIONS	
STANDARDS TO FOLLOW	1B
02. PACKAGE	
INSIDE PACKAGE	2A
03. OPERATOR	
OPEN COVER	2B
UNLOCK OPERATOR	3A
TECHNICAL SPECIFICATIONS	3B
04. INSTALLATION	
INSTALLATION SITE PREPARATION	4A
SITE INSTALLATION – CREATE FOUNDATION	4A
SITE INSTALLATION – EXISTING FOUNDATION	5A
APPLICATION OF MOTOR	5B
INSTALLATION OF STEEL GEAR RACK	6A
INSTALLATION OF NYLON GEAR RACK	7A
INSTALLATION OF PLATES THE LIMIT SWITCHES	8A
CLUTCH ADJUSTMENT	8B
MAP OF INSTALLATION	9
05. TROUBLESHOOTING	
FINAL CONSUMERS INSTRUCTIONS	10
SPECIALIZED TECHNICIANS INSTRUCTIONS	10
06. COMPONENTS TEST	
SCHEMES FOR CAPACITORS	11A
07. MAINTENANCE	
MAINTENANCE	11B

01. SAFETY INSTRUCTIONS

STANDARDS TO FOLLOW

ATTENTION:

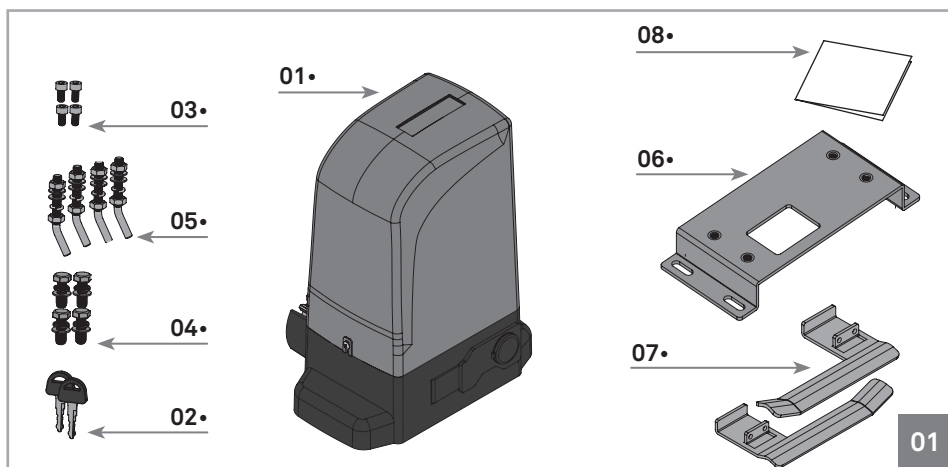
- To ensure the safety of people, it is important that you read all the following instructions. Incorrect installation or incorrect use of the product can cause physical injury and material damage.
- Keep these instructions in a safe place for future reference.
- This product was designed and produced strictly for the use indicated in this manual. Any other use, not expressly indicated here, could compromise the good condition/operation of the product and/or be a source of danger.
- **ELECTROCELOS S.A.** is not responsible for the improper use of the product, or other use than that for which it was designed.
- **ELECTROCELOS S.A.** is not responsible if safety standards were not taken into account when installing the equipment, or for any deformation that may occur to it.
- **ELECTROCELOS S.A.** is not responsible for the safety and proper operation when using components not sold by them.
- Do not make any modifications to the operator components and / or their accessories.
- Before installation unplug the automatism from the source of power.
- The installer must inform the client how to handle the product in case of emergency and provide this manual to user.
- Keep remote controls away from children, to prevent the automated system from being activated involuntarily.
- The customer shall not, under any circumstances, attempt to repair or tune the operator. Must call qualified technician only.
- Connect the automatism to a 230V plug with ground wire.
- Operator for outdoor and indoor use.

02. PACKAGE

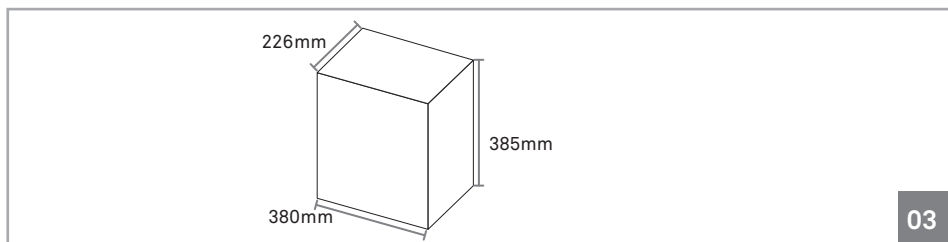
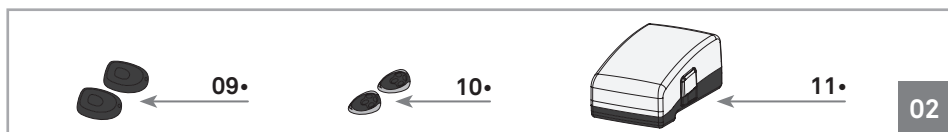
INSIDE PACKAGE

Inside the package you will find the following components:

- 01• 01 motor Bravo500
- 02• 02 release keys
- 03• 04 screws DIN912 M5x10
- 04• 04 fixing screws to the plate
- 05• 04 fixing screws to the ground
- 06• 01 fixation plate
- 07• 02 fixation plate of the limit switches
- 08• 01 user's manual
- 09• 02 photocells
- 10• 02 remote controls
- 11• 01 Control board

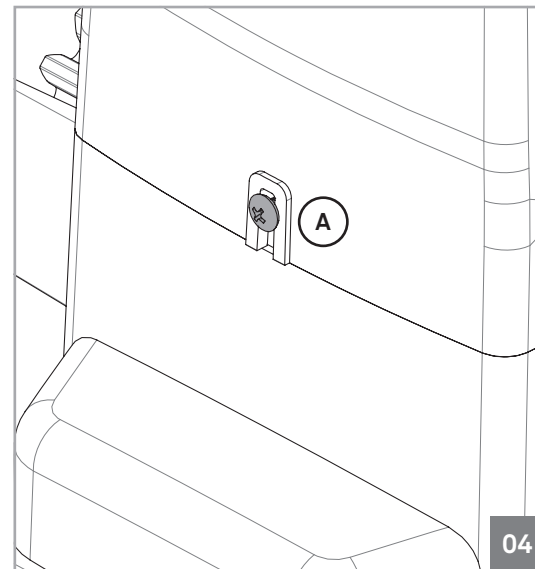


Electronic components of the kit:

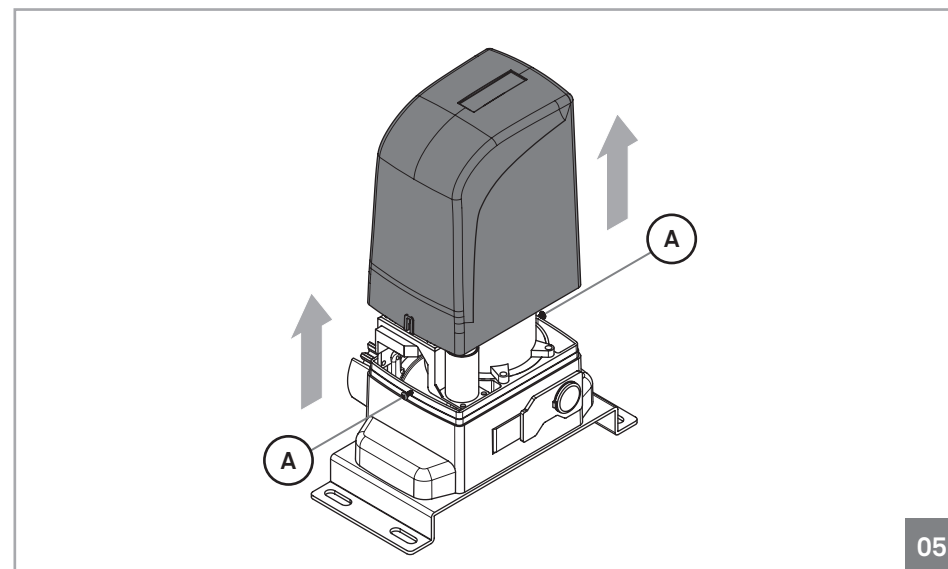


03. OPERATOR

OPEN COVER



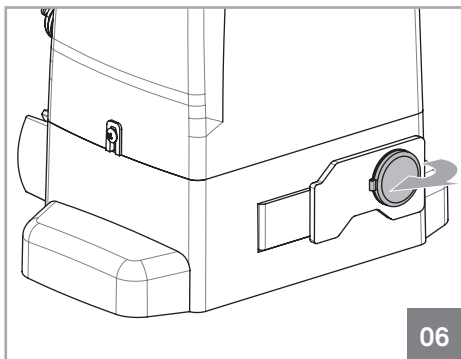
During installation you will need to open the motor cover, to access various components on the inside. For this, loosen the 2 screws identified with (A) until the cover is free to be removed.



03. OPERATOR

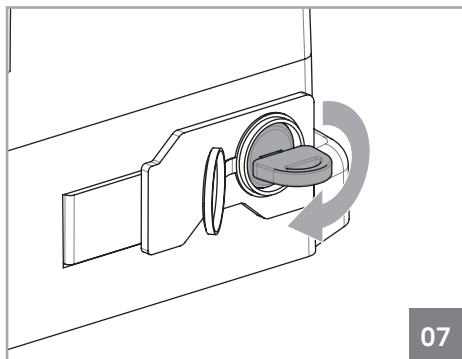
UNLOCK OPERATOR

To open manually the gate in case of electric power failure or in case of damage, follow the below steps:



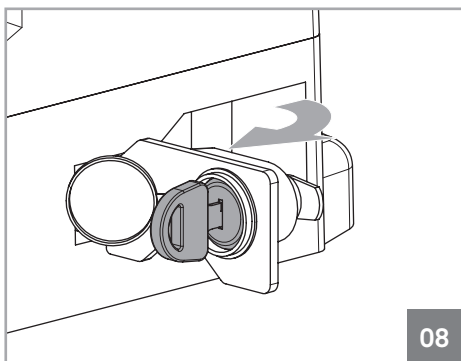
06

01 • Open the protection cover to access the key hole for the release.



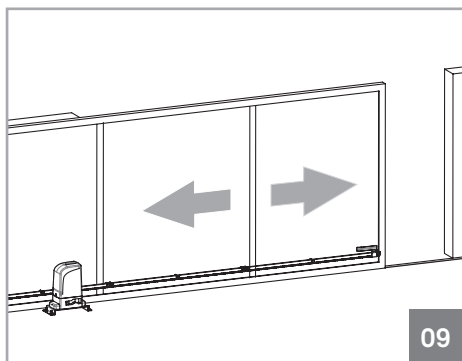
07

02 • Insert the key and turn it 90°.



08

03 • Pull the lever towards the outside, and you can now open/close the gate manually.



09

So that the automation will operate normally, close the unlock and turn the key to the original position. Close the cover (06) to finish, make a move in order to confirm the functioning of the automation.

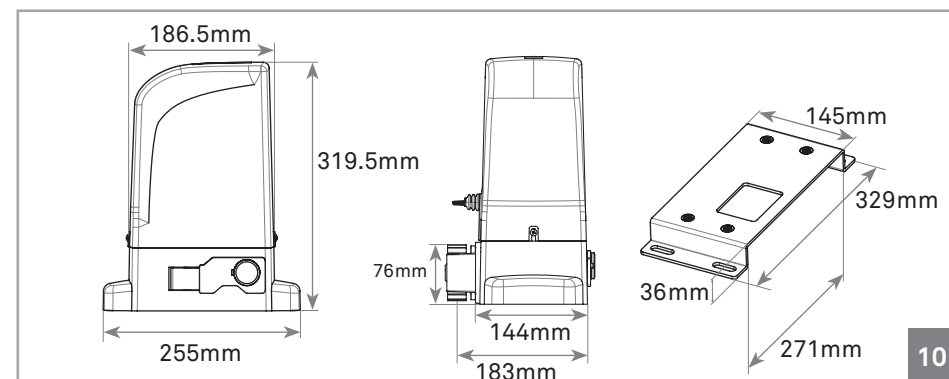
03. OPERATOR

TECHNICAL SPECIFICATIONS

The specifications of the automatism **BRAVO 500** are as follows:

	BRAVO500	BRAVO500/110
• Power Supply	AC 230V 50Hz	AC 110V 60Hz
• Power	280W	280W
• Current	0,8A	0,8A
• Speed	0,16 m/sec	0,16 m/sec
• Thermal protection	120°C	120°C
• Force	1200N	1200N
• Working temperature	>-45°C a <65°C	>-45°C a <65°C
• Capacitor	8µF	25µF
• Noise level	IP44	IP44
• Working frequency	25%	25%
• IP protection	<56_db	<56_db
• Thermal reset	2min to complete cycle	2min to complete cycle
• Maximum weight of leaf	500kg	500kg
• Maximum size of leaf	7m	7m

The dimensions of automatism **BRAVO 500** are the following:




10

04. INSTALLATION

INSTALLATION SITE PREPARATION

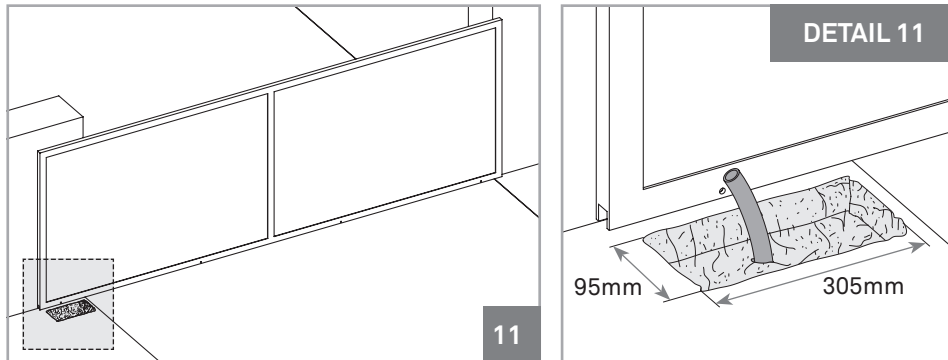
To ensure full operation of the automatism, pay attention the following recommendations:

- Read the entire manual at least once giving special attention to all notices marked with ;
- Check that the gate structure is sufficiently resistant;
- The gate should be very well leveled and have a uniform movement without irregular friction during the full course;
- The foundation to create in step 02 of page 4.B should be very resistant to support the mounting screws of the plate;
- It is recommended that all locksmith works are carried out before proceeding with installation of the automatism.
- Check if the size and weight of the gate correspond with the presented with the technical data of the motor (p. 3B).

INSTALLATION SITE PREPARATION

NOTE:

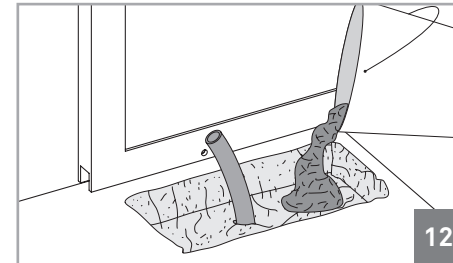
For correct operation of the automatism, it is necessary to pay attention to the dimensions given in the following images. Also check that the fixation plate is parallel to the gate.



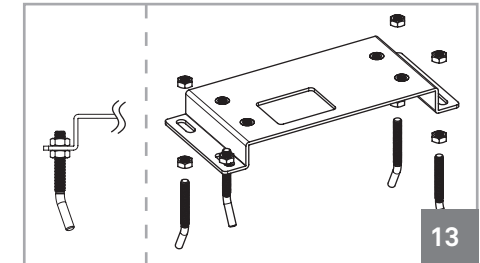
01 • Make a hole in the ground to create a foundation in concrete. The dimensions shown are these recommended to create the foundation. You must leave tubes in the middle of the hole for the passage of cables for power and accessories, as shown in the detail of image 11.

04. INSTALLATION

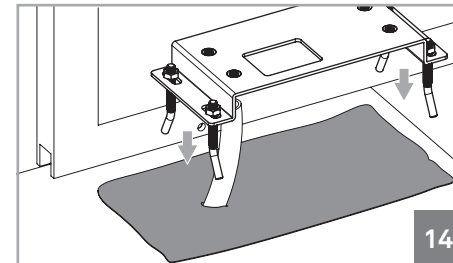
SITE INSTALLATION – CREATE FOUNDATION



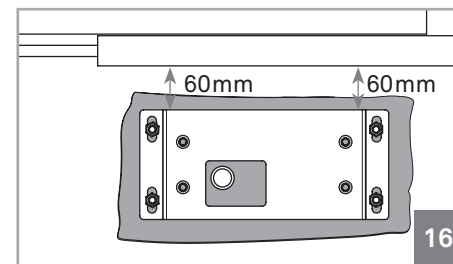
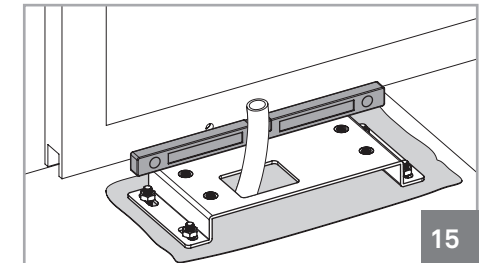
02 • Fill the hole with fresh concrete and smooth the top part where you will fix the plate.



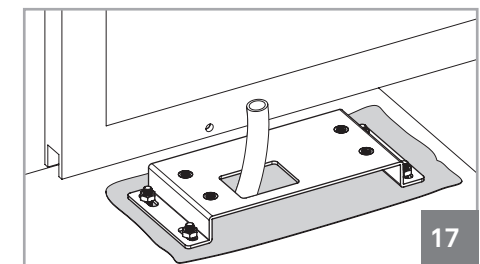
03 • Attach the screws to the plate with nut and counter nut as shown in picture 13.



04 • Insert the plate with screws in the concrete while it is still fresh and level it horizontally with a level. Also align it parallel to the gate, keeping a distance of 60mm between them, as visible in picture 16.



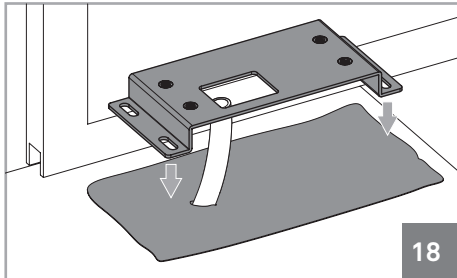
05 • Let the concrete dry so that the plate stays well fixed.



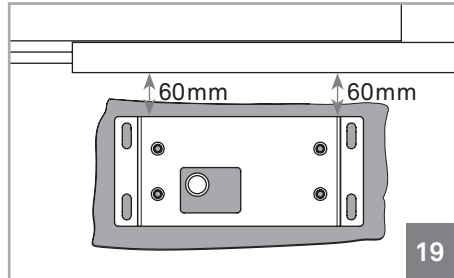
04. INSTALLATION

SITE INSTALLATION – EXISTING FOUNDATION

In case there is already a foundation at the installation site, proceed as below:

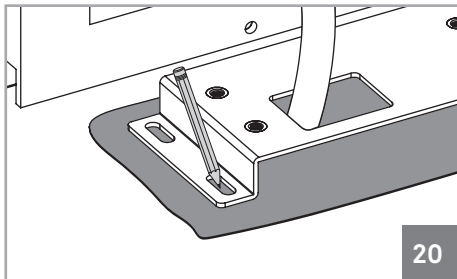


18

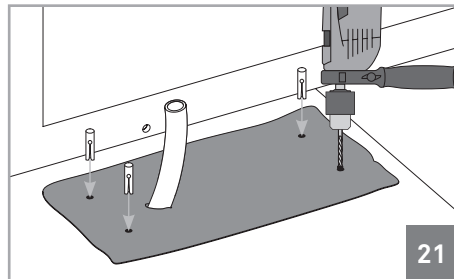


19

01 • Place the fixing plate on top of the foundation and align it parallel to the gate, keeping a distance of 60mm between them, as visible in Figure 19.



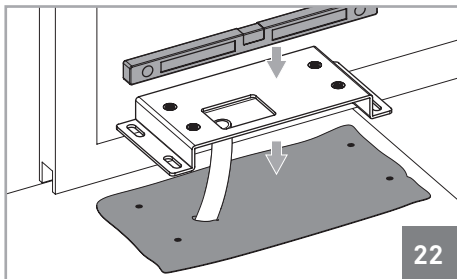
20



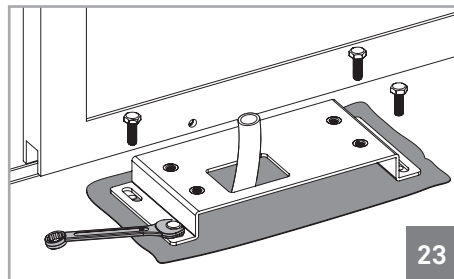
21

02 • Mark the place to make the holes for the bushings. Must make the mark at the center of the oval holes of the plate.

03 • Drill four holes with $\varnothing 18\text{mm}$ on foundation. Place M10 steel anchors on the holes.



22

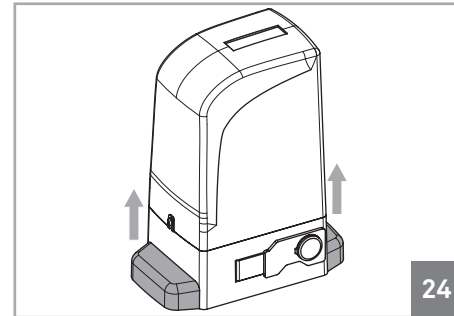


23

04 • Place the fixing plate on the foundation in cement respecting the distances of image 19. Use a level to level it horizontally and fasten it with M10 screws.

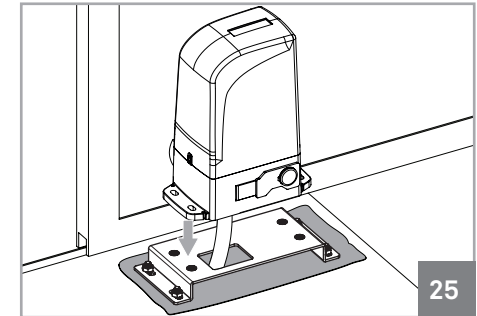
04. INSTALLATION

APPLICATION OF MOTOR



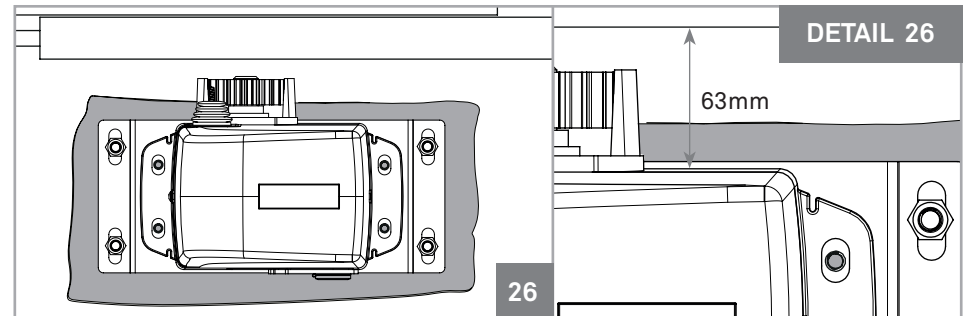
24

01 • Remove the side covers of the motor by pulling them up.



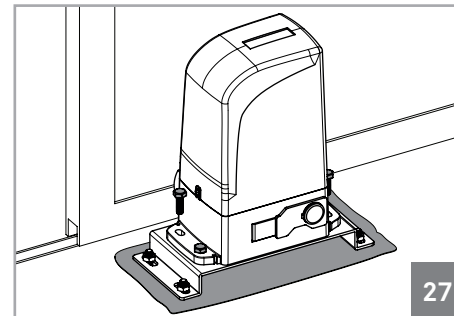
25

02 • Place the motor in the fixing plate.



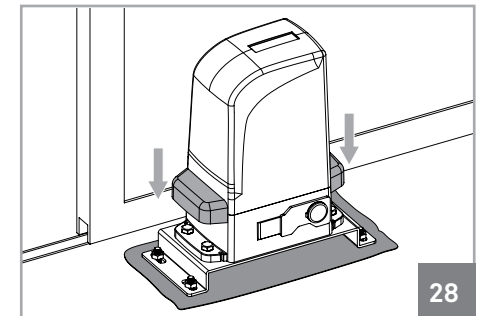
26

03 • Align it parallel to the gate leaving a distance of 63mm between them, as visible in the image 26. Oval holes of the motor should be centered with the threaded holes in the fixing plate, as visible on DETAIL 26.



27

04 • Fix it with the M10 x 25 screws provided.



28

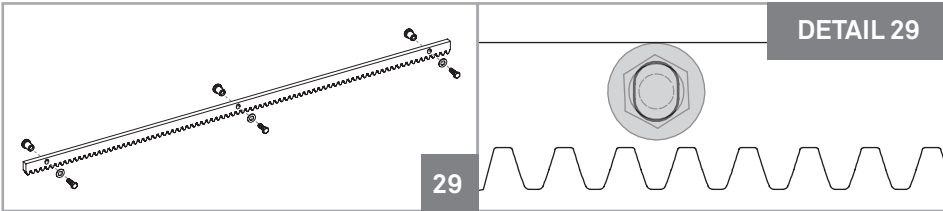
05 • Reassemble the motor's side covers to hide the screws.

04. INSTALLATION

INSTALLATION OF STEEL GEAR RACK

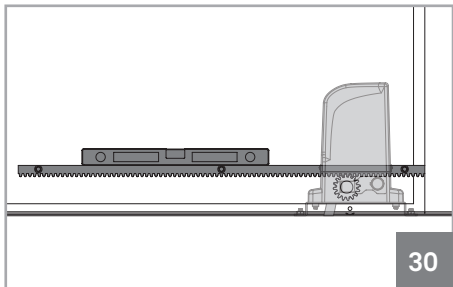


Place the gate in the open position and unlock the motor! (p.03A).



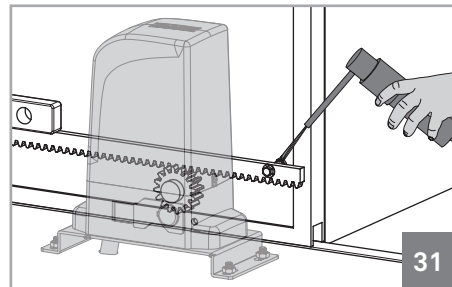
DETAIL 29

01 • Place spacers in all holes of the rack to fix it to the gate. Must put them in the center of the oval holes in the rack, as shown in Figure 29, so you can adjust the rack at the end of the installation if necessary.



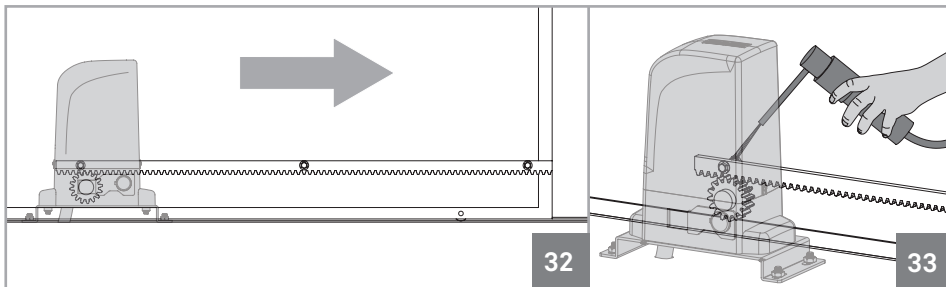
30

02 • Place a piece of rack on top of the pinion and level it horizontally with a level.



31

03 • Weld the spacer on top of the pinion.



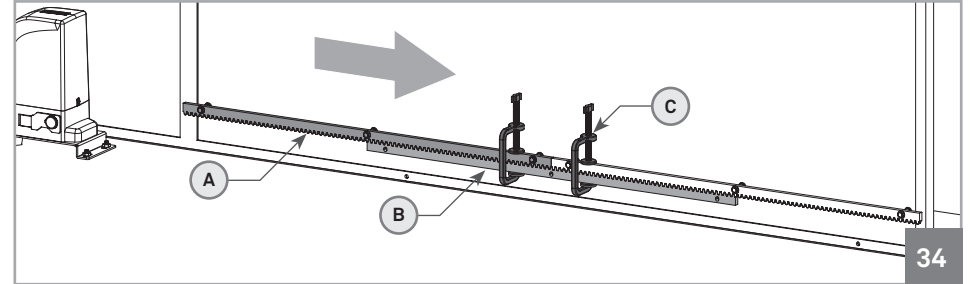
32

33

04 • Close the gate a bit until the other end of the rack rests on top of the pinion and weld the other spacer to the gate.

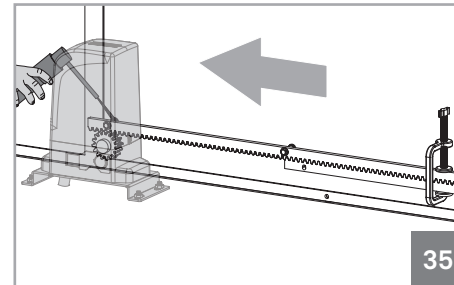
04. INSTALLATION

INSTALLATION OF STEEL GEAR RACK



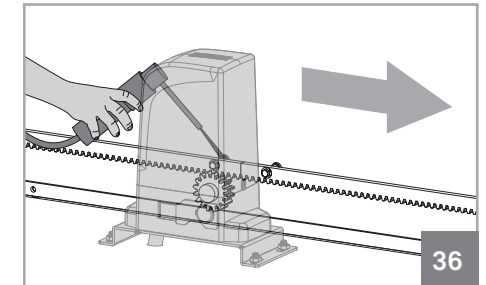
34

05 • Close the gate a bit, so that the rack is not being supported on the pinion anymore and apply another piece of rack (A). To synchronize the teeth with the piece already installed, use an additional piece of rack (B) and place it under the union of the other two, holding them with clamps (C).



35

06 • Open the gate to support the point of the new piece of rack on top of the pinion and weld the spacer.



36

07 • Remove the piece of auxiliary rack and open the gate until the other end of the rack stands on top of the pinion. Weld the spacer.

08 • Repeat the steps 5-7 for each meter of the rack, until you reach the end.

09 • Manually, test the movement of the gate with all racks already installed and weld the remaining spacers. In case of finding some friction between the rack and pinion, adjust the rack on the oval holes with screws.



During the course of the gate, all elements of the rack must mesh properly with the pinion (space 1.5mm)!

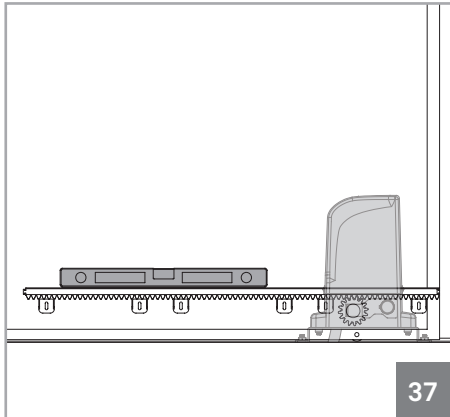
The spacers can't be welded to the rack! And also the pieces of rack with one another. Do not use mass or other types of lubricant between rack and pinion!

04. INSTALLATION

INSTALLATION OF NYLON GEAR RACK

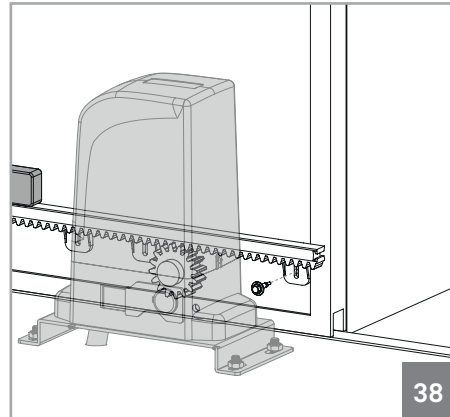


Place the gate in the open position and unlock the motor! (p.03A)



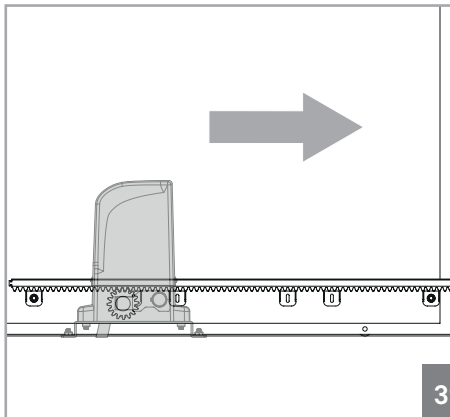
37

01 • Place a piece of rack on top of the pinion and level it horizontally with a level.



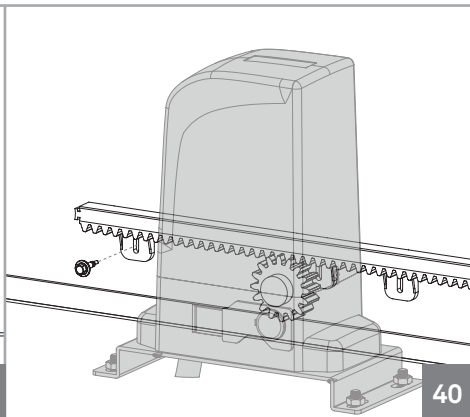
38

02 • Fasten the support of the rack over the pinion to the gate.



39

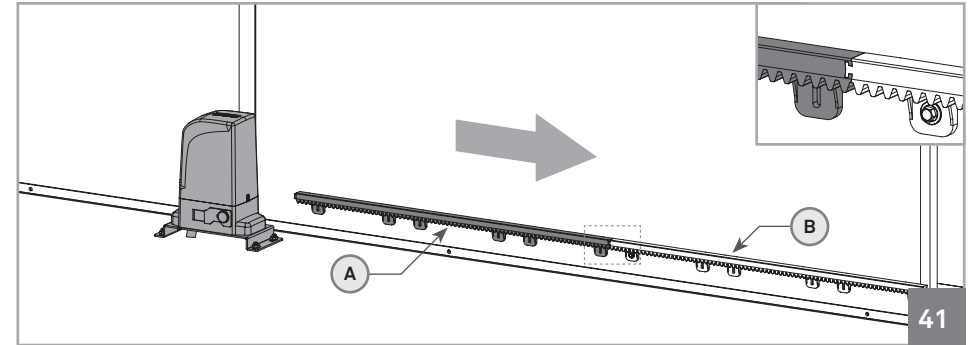
03 • Close the gate a bit until the other end of the rack rests on top of the pinion and fasten the other support.



40

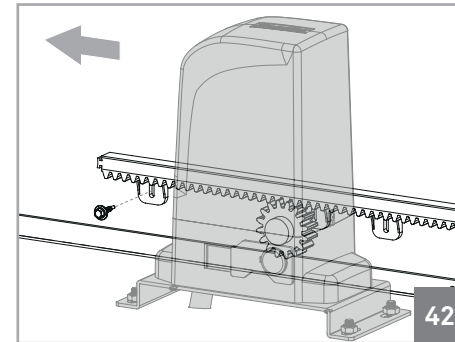
04. INSTALLATION

INSTALLATION OF NYLON GEAR RACK



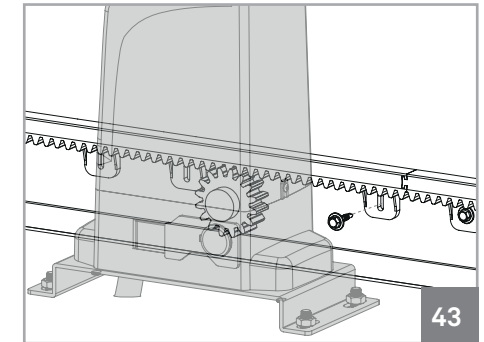
41

04 • Close the gate a bit, so that the rack is not being supported on the pinion anymore and apply another piece of rack (A), fitting it into the rack already installed (B), as you can see in detail of image 41.



42

05 • Open the gate until the other end of the new rack is on top of the pinion rack and fasten it to the gate.



43

06 • Open the gate until the other end of the rack stands on top of the pinion. Fasten it to the gate.

07 • Repeat the steps 4-6 for each rack piece until you reach the end.



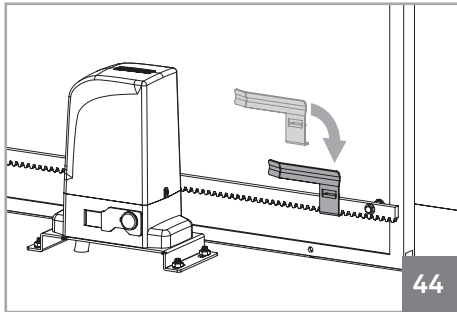
During the course of the gate, all elements of the rack must mesh properly with the pinion!
All rack supports must be welded at the gate.
Do not use mass or other types of lubricant between rack and pinion!

04. INSTALLATION

INSTALLATION OF PLATES THE LIMIT SWITCHES

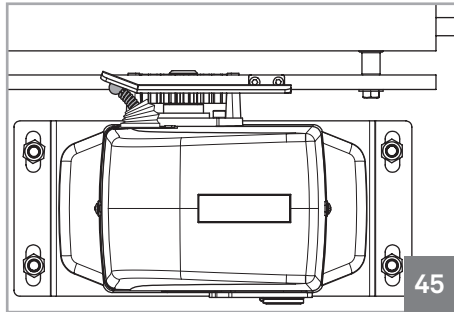


Place the gate in the open position and unlock the motor! (p.03A)

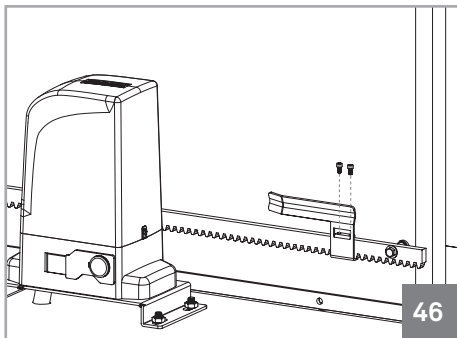


44

01 • Place the opening limit-switch plate in the rack so that it can trigger the limit-switch of the motor before the gate gets to opening stopper. The plate must activate the spring of the limit-switch as visible in the image 45.

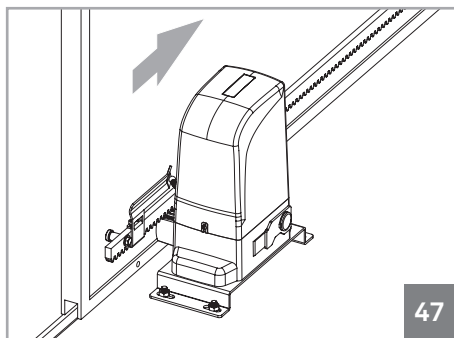


45



46

02 • Put the DIN912 M5 x 12 screws supplied with the accessories until the limit-switch plate is fixed to the rack.



47

03 • Move the gate to the closed position and repeat steps 1 and 2 to fix the closing limit-switch plate to the rack.



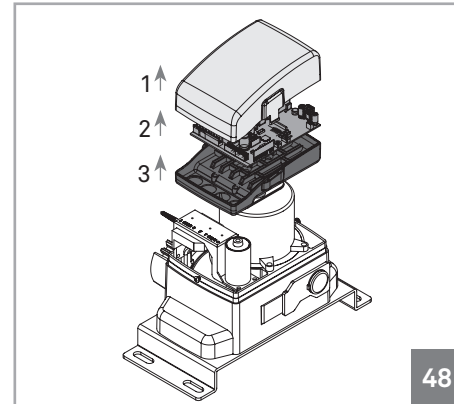
The limit-switch plates must be tuned for the gate stop before it hits the opening and closing stoppers. Manually test the activation of the limit-switches with the gate unlocked, before you connect it to the electric power, in order to prevent problems due to bad installation.

04. INSTALLATION

CLUTCH ADJUSTMENT



To start the disassembly of the control board, disconnect the power and have maximum care when handling it.



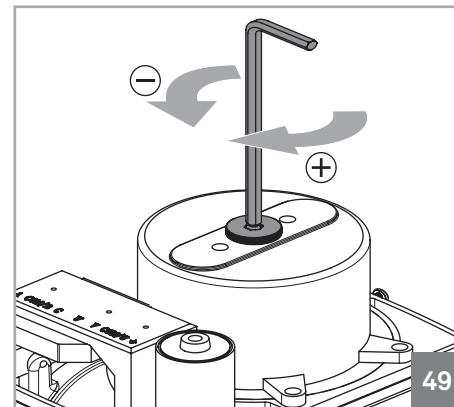
48

01 • Unbolt the screws and remove the cover, as explained in p.02B.

02 • You must now access the adjusting screw of the clutch.

For this remove the cover of the control board box. Loosen the 2 screws of the control board and remove it from the box. Now loosen the 2 screws that fix the box of control board to the motor and remove it as well.

03 • Adjust the screw in the upper part of the motor. Use a 6mm hexagon key as shown in image 49.



49

How to make the adjustment:

• Irreversibility of the motor.

Do a test to the motor's irreversibility. For that, just try to move the gate manually with the motor locked. If the gate is moving, it is necessary to adjust the screw by rotating it clockwise (+).

• Idle speed of the motor

If the gate does not move at idle speed, it means that the screw is too much tightened. Rotate it counterclockwise (-) until the motor moves the gate at idle speed.

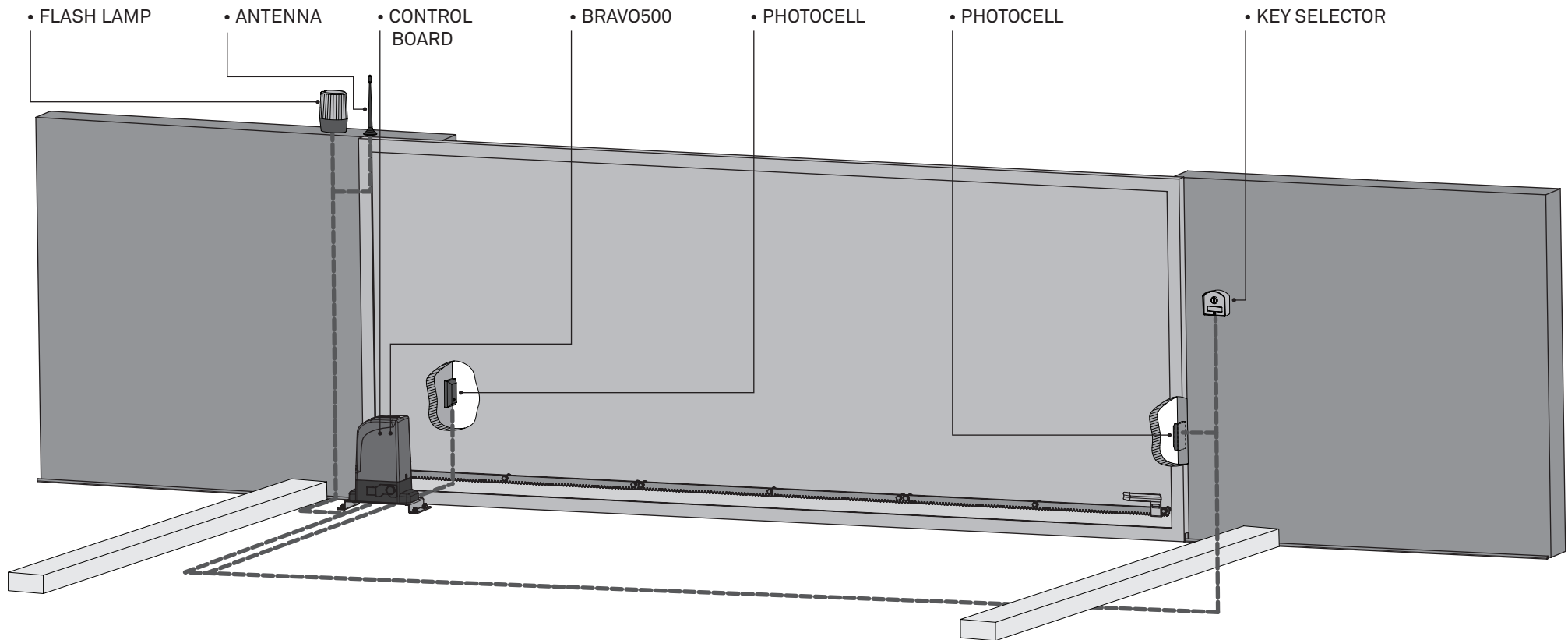


The tuning must achieve a balance between the gate's irreversibility and the engines power.

Any adjustment must always be made lightly, always experimenting the motor's operation with every adjustment until you achieve the necessary balance between the irreversibility of the motor and the strength of idle speed.

04. INSTALLATION

MAP OF INSTALLATION



LEGEND:

----- • Cables of connection



It is important to use stoppers on the opening and closing of the gate. If this is not respected, there may be danger of the gate open too much in manual mode and jump out of the rail.



It is important to use junction boxes for connections between motors, components and control board. All cables enter and exit under the junction box and box of control board.

05. TROUBLESHOOTING

FINAL CONSUMERS INSTRUCTIONS

SPECIALIZED TECHNICIANS INSTRUCTIONS

Problem	Procedure	Behavior	Procedure II	Discovering the origin of the problem			
• Motor doesn't work	• Make sure you have 230V power supply connected to control board and if it is working properly.	• Still not working	• Consult a qualified MOTORLINE technician.	1 • Open control board and check if it has 230V power supply; 2 • Check input fuses of the control board;	3 • Disconnect the motor from control board and test them by connecting directly to power supply in order to find out if they have problems (see page 11A).	4 • If the motor works, problem is on the control board. Pull it out and send it to our MOTORLINE technical services for diagnosis;	5 • If the motor doesn't work, remove them from installation site and send to our MOTORLINE technical services for diagnosis.
• Motor doesn't move but makes noise	• Unlock motor and move the gate by hand to check for mechanical problems on the movement.	• Encountered problems?	• Consult a qualified gates technician.	1 • Check motion axis and associated motion systems related with the motor and the gate to find out what is the problem.			
		• The gate moves easily?	• Consult a qualified MOTORLINE technician.	1 • Check capacitor, testing operator with a new one;	2 • If capacitors are not the problem, disconnect motor from control board and it them by connecting directly to power supply in order to find out if it has problems (see page 11A);	3 • If the motor works, the problem is from control board. Pull it out and send it to our MOTORLINE technical services for diagnosis;	4 • If the motor doesn't work, remove them from installation site and send to our MOTORLINE technical services for diagnosis.
• Motor opens but doesn't close	• Unlock motor and move the gate by hand to closed position. Lock motor again and turn of power supply for 5 seconds. Reconnect it and send order to open gate using transmitter.	• Gate opened but didn't close again..	1 • Check if there is any obstacle in front of the photocells; 2 • Check if any of the control devices (key selector, push button, video intercom, etc.) of the gate are jammed and sending permanent signal to control unit; 3 • Consult a qualified MOTORLINE technician.	All MOTORLINE control boards have LEDs that easily allow to conclude which devices are with anomalies. All safety devices LEDs (DS) in normal situations remain On. All "START" circuits LEDs in normal situations remain Off If LEDs devices are not all On, there is some security systems malfunction (photocells, safety edges), etc. If "START" circuits LEDs are turn On, there is a control device sending permanent signal	on the control board (check manual of the control board in question). If the automated system starts working normally check for the problematic device. 2 • Remove one shunt at a time until you find the malfunction device. 3 • Replace it for a functional device and check if the motor works correctly with all the other devices. If you find another one defective, follow the same steps until you find all the problems. B) START SYSTEMS: 1 • Disconnect all wires from START terminal input.	2 • If the LED turned Off, try reconnecting one device at a time until you find the defective device. NOTE: In case procedures described in sections A) and B) don't result, remove control board and send to our technical services for diagnosis;	
• Motor opens but doesn't close.	• Unlock motor and move gate by hand to check for mechanical problems on the gate.	• Encountered problems?	• Consult a qualified gates technician.	1 • Check all motion axis and associated motion systems related with the gate to find out what is the problem.			
		• The gate moves easily?	• Consult a qualified MOTORLINE technician.	1 • Check capacitors, testing with new capacitors. 2 • If capacitors are not the problem, disconnect motor from control board and test it by connecting directly to power supply in order to find out if it is broken; 3 • f the motor doesn't work, remove it from installation site and send to our MOTORLINE technical services for diagnosis.	4 • If motor work well and move gate at full force during the entire course, the problem is from controller. Set force using trimmer on the board. Make a new working time programming, giving sufficient time for opening and closing with appropriate force . 5 • If this doesn't work, remove control unit and send it to	MOTORLINE technical services.	(vehicles, people, etc). NOTA: Setting force of the controller should be sufficient to make the gate open and close without stopping, but should stop and invert with a little effort from a person. In case of safety systems failure, the gate shall never cause physical damaged to obstacles

06. COMPONENTS TEST

SCHEMES FOR CAPACITORS

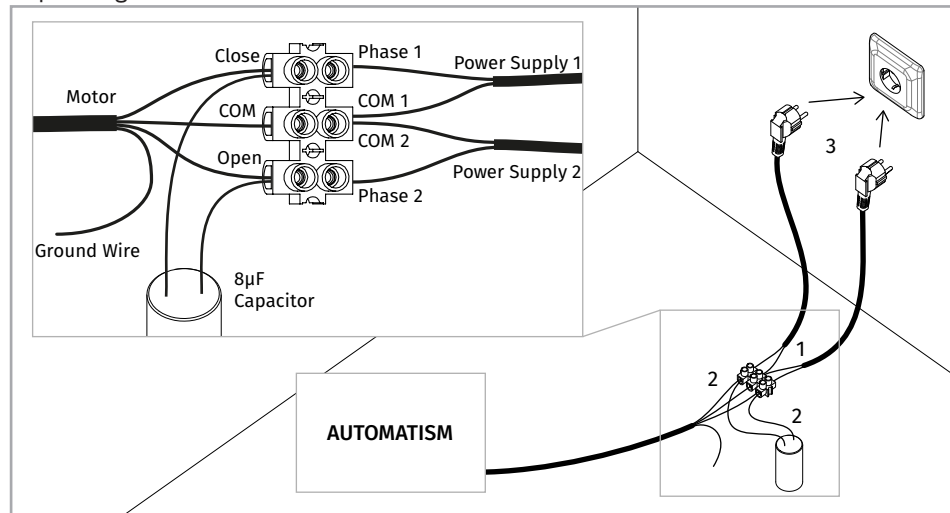
To detect if the malfunction is on the control board or on the motor is, sometimes, necessary to perform tests with connection directly to a 110V/230V power supply. For this, it is necessary to interpose a capacitor on the connection in order to the automatism to work (check the type of capacitor to be used in the product manual). The diagram below, shows how to make that connection and how to merge the different components wires.

NOTES:

> To perform the tests, there is no need to remove the automatism from the place it is installed, because in this way, it is possible to understand if the automatism can function properly connected directly to the current.

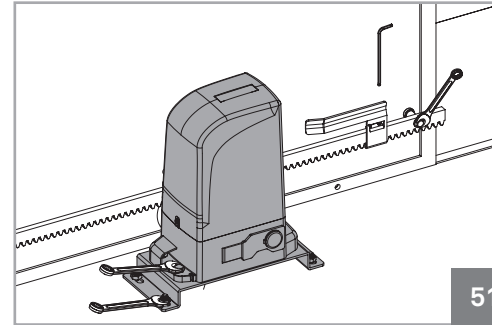
> You should use a new capacitor during this test to ensure that the problem does not lie on it.

- 01 • Connect the power wires to the terminal, as shown below.
- 02 • Connect the automatism wires in the terminal, interposing a capacitor in the opening and closing wires.
- 03 • Once these connections are completed, connect to a 110V/230V power outlet, depending on the motor / control board in test.

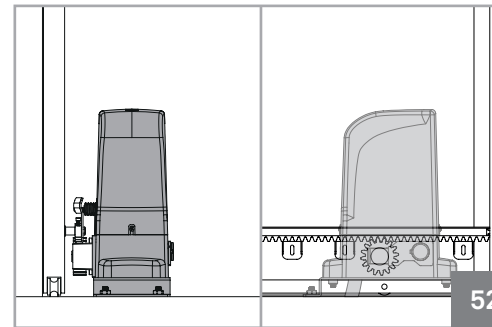


07. MAINTENANCE

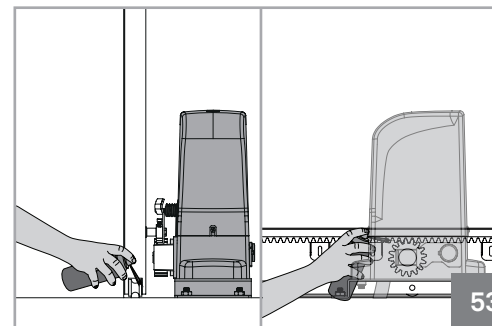
MAINTENANCE



- Check all screws of the automation such as the fixing plate to the ground, the plates of the limit switches, motor and the gear rack.



- Check that the distance between rack and motor remains unchanged and this engages the teeth of the pinion of the engine correctly (over time can happen some distortion).



- Lubricate all systems/axis of movement of the gate. Lightly lubricate with spray the rack and pinion.



All tests must be performed by skilled technicians due to serious danger associated with the misuse of electrical systems!!



These maintenance measures must be made every 6 months to maintain the good functioning of the automatism.