

Model	SDC-12-3BPL SDC-12-5BPL SDC-12-10BPL	
Specification		
Mains Input:	Ac100 - 240V, 50~60 Hz	
Output voltage (With AC input):	Adjustable 12-14V DC	
Output voltage (With battery output):	10.5-12.5VDC (with the battery discharge voltage gradually reduce)	
Nominal Current/power release:	3A / 36W	5A / 60W
		10A / 120W
Efficiency/Ripple:	> 82% / <100 mV	
Charge current:	0.8A	1.0A
		1.8A
LED indicators:	LED1: AC input indicator	
	LED2: DC output indicator	
	LED3: Battery charge indicator	
	LED4: Battery undervoltage indicator	
Electronic protection:	Short protection, overcurrent protection, overvoltage protection <i>If the load happen to short-circuit, the power supply would not be output, and it will continue to work automatically when the short-circuit is settled.</i>	
Battery discharge protection:	Battery supply voltage cuts off at 9.5-10.5v	
Recommended battery:	1 x 7Ah	2 x 7Ah or 1 x 18Ah
Dimensions	167 x 222 x 102mm	308 x 308 x 102 mm
Weight:	800 gr.	1500 gr.
Use guide		

Please use power of 220V and cable of two phases and three cables. Make sure the battery is connected well to the ground wire.

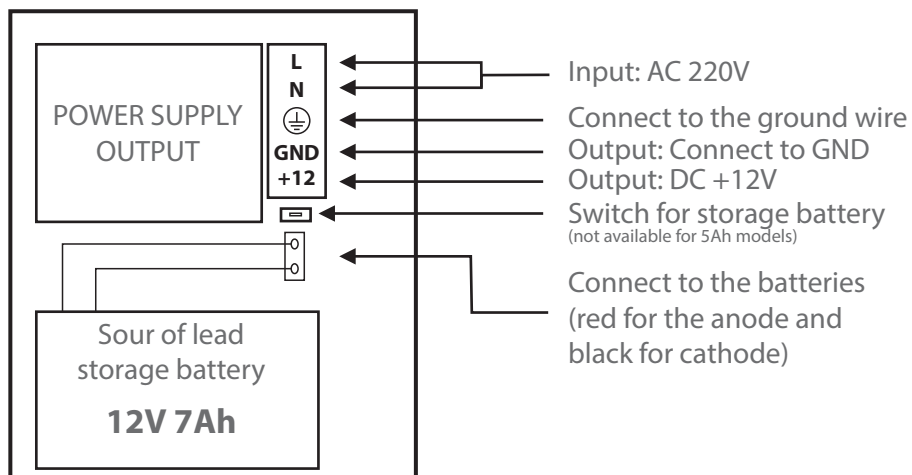
The machine is self-protected against overload, over charge and wrong polarity, etc.

Please switch on the battery when no AC power connected. The machine won't power on if the pressure of the battery too low.

The machine will work as soon as AC power is connected, and keep standby.

If AC power is open, the storage battery will supply power in no time.

Connection



Power supply

With Battery Back-up output

rev.072016

Design and specifications are subject to change without notice.

technical specification

products model

SDC-12-xBPL