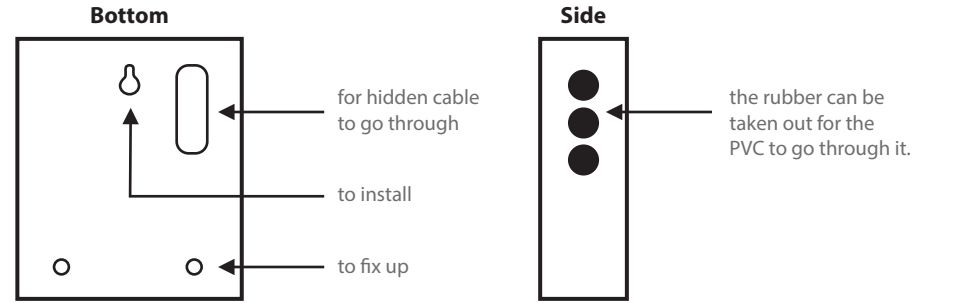


Model	SDC-12-10B
<b>Specification</b>	
<b>Input power:</b>	Ac190 - 265V, 50~60 Hz
<b>Output power:</b>	DC 12V ± 15%
<b>Output current:</b>	Max. 10A
<b>Storage battery:</b>	2x 7Ah or 1x18Ah
<b>Output protection</b>	Short protection, overcurrent protection, overvoltage protection <i>If the load happen to short-circuit, the power supply would not be output, and it will continue to work automatically when the short-circuit is settled.</i>

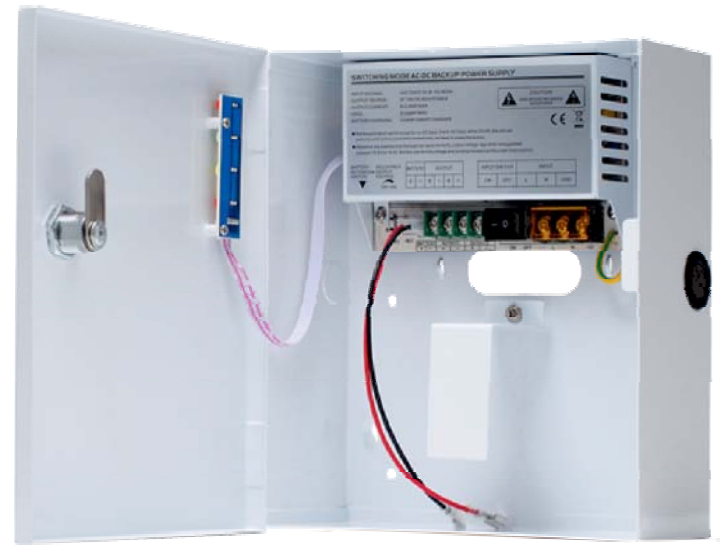
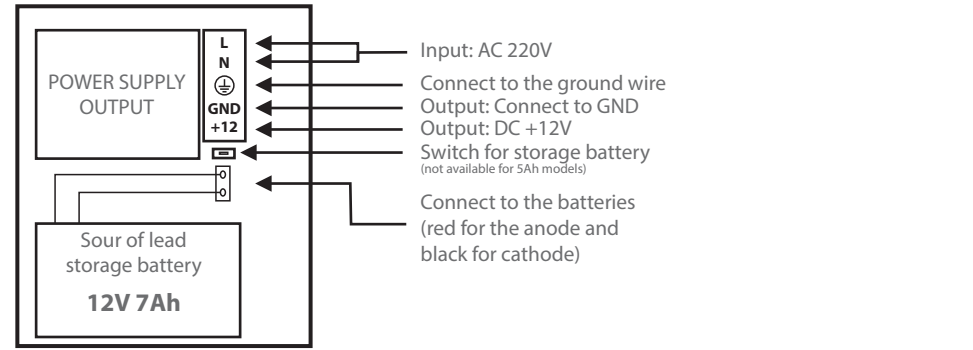
**Use guide**

Please use power of 220V and cable of two phases and three cables. Make sure the battery is connected well to the ground wire.  
 The machine is self-protected against overload, over charge and wrong polarity, etc.  
 Please switch on the battery when no AC power connected. The machine won't power on if the pressure of the battery too low.  
 The machine will work as soon as AC power is connected, and keep standby.  
 If AC power is open, the storage battery will supply power in no time.

**Assembly**



**Connection**



# Power supply

## With Battery Back-up output

rev.082014

Design and specifications are subject to change without notice.

technical specification

products model

# SDC-12-10B