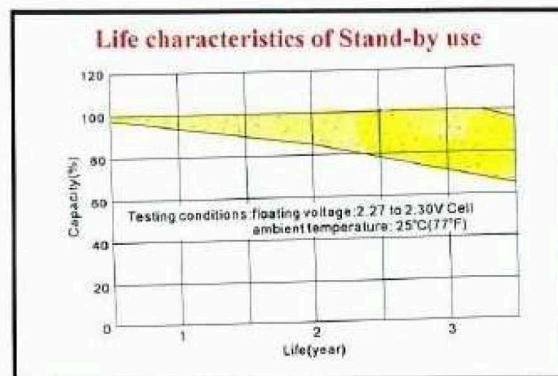
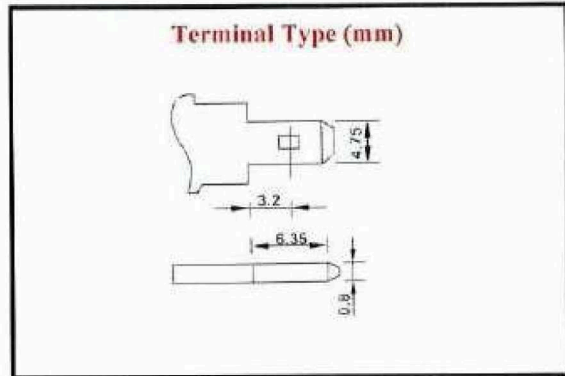
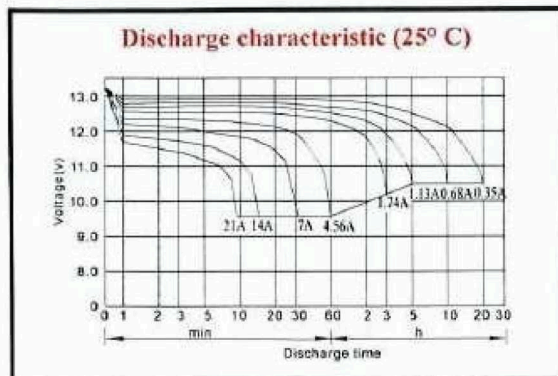
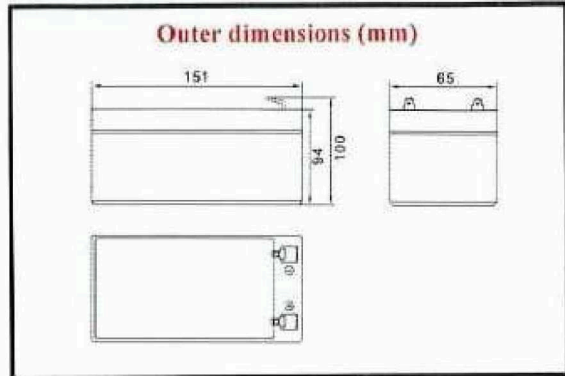


**ELAN s.r.l.** - Via Osimana, 70 - 60021 Camerano (AN) - Italy  
 Tel. +39.071.7304258 - Fax +39.071.7304282  
 Sito Web: [www.elan.an.it](http://www.elan.an.it) - E-mail: [info@elan.an.it](mailto:info@elan.an.it)  
 R.E.A. AN n. 152242 - Cod. Fisc. e Part. IVA IT 01572590428



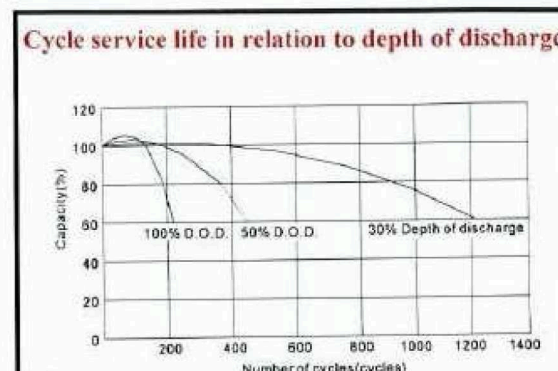
# BIGBAT

## 12V. 7 Ah.



Characteristics

Capacity 25° C (77° F)	20 hour rate (0.35 A)	7.00 AH
	10 hour rate (0.68 A)	6.80 AH
	5 hour rate (1.13 A)	5.65 AH
	1 hour rate (4.56 A)	4.56 AH
	1.5 hour discharge to 10.5V	2.8 A
Internal Resistance	Full charged battery at 25° C (77° F)	22 m Ω
Capacity effected by temperature (20 hour rate)	40° C (104° F)	102 %
	25° C (77° F)	100 %
	0° C (32° F)	85 %
	-15° C (5° F)	65 %
Self-discharge at 25° C (77° F)	Capacity after 3 month storage	91 %
	Capacity after 6 month storage	82 %
	Capacity after 12 month storage	64 %
Charge (constant voltage)	Cycle	Initial charging current less than 2.30 A Voltage 14.50 – 14.90V.
	Float	Voltage 13.60 – 13.80V.



Il costruttore si riserva di apportare modifiche al prodotto senza preavviso -- The manufacturer reserves the right to modify the product without notice